


REV	DATE	BY	CHANGE
A	12/14/2011	BBT	Initial release
A1	02/02/2012	BBT	Added one more button. Fixed reset and power button issues. Added a pull up to WP of EEPROM
A2	04/30/2012	BBT	1. LCD_AVDD_EN Signal is moved from J2-42 (GPIO0_7) to J1-20 (GPIO1_31)

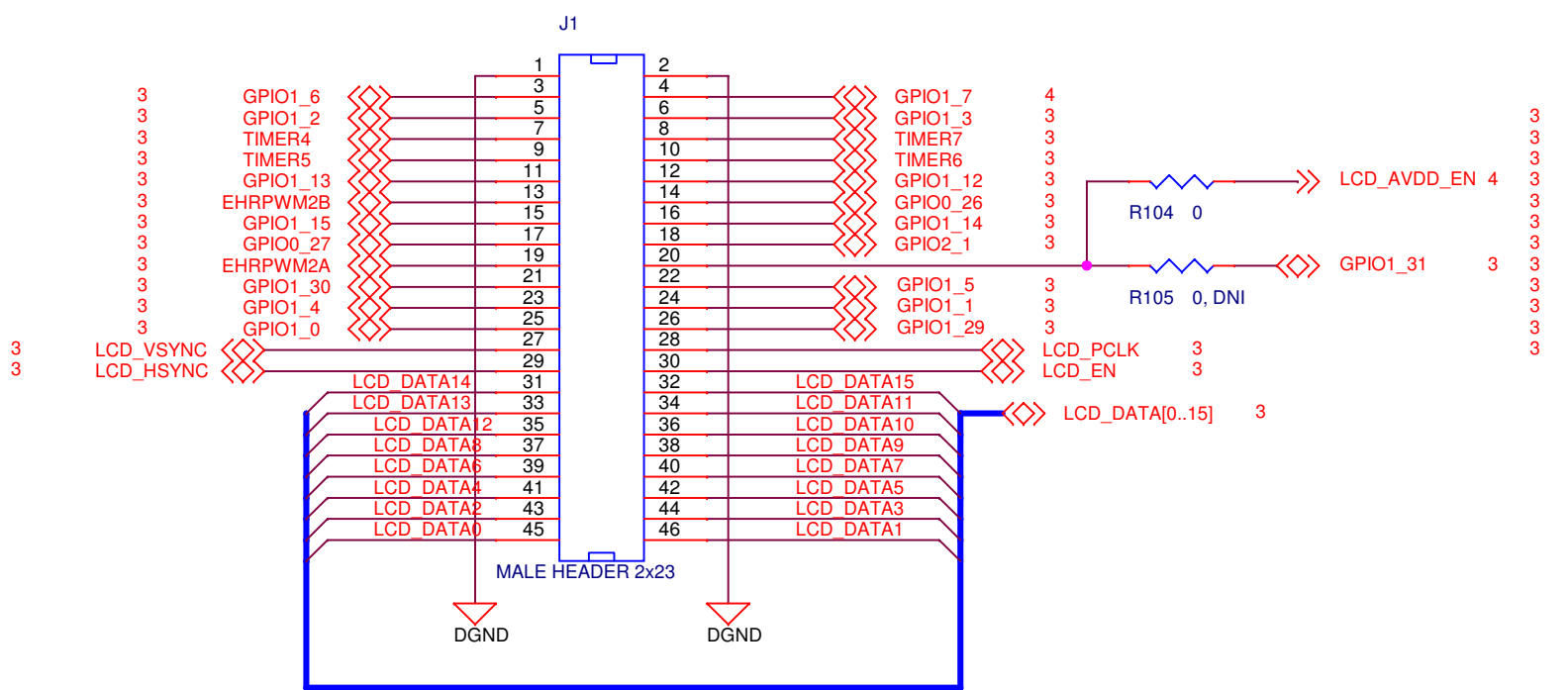
This work is licensed under the Creative Commons Attribution-Share Alike 3.0 Unported License. To view a copy of this license, visit <http://creativecommons.org/licenses/by-sa/3.0/> or send a letter to Creative Commons, 171 Second Street, Suite 300, San Francisco, California, 94105, USA.

All derivative works are to be attributed to CircuitCo LLC .

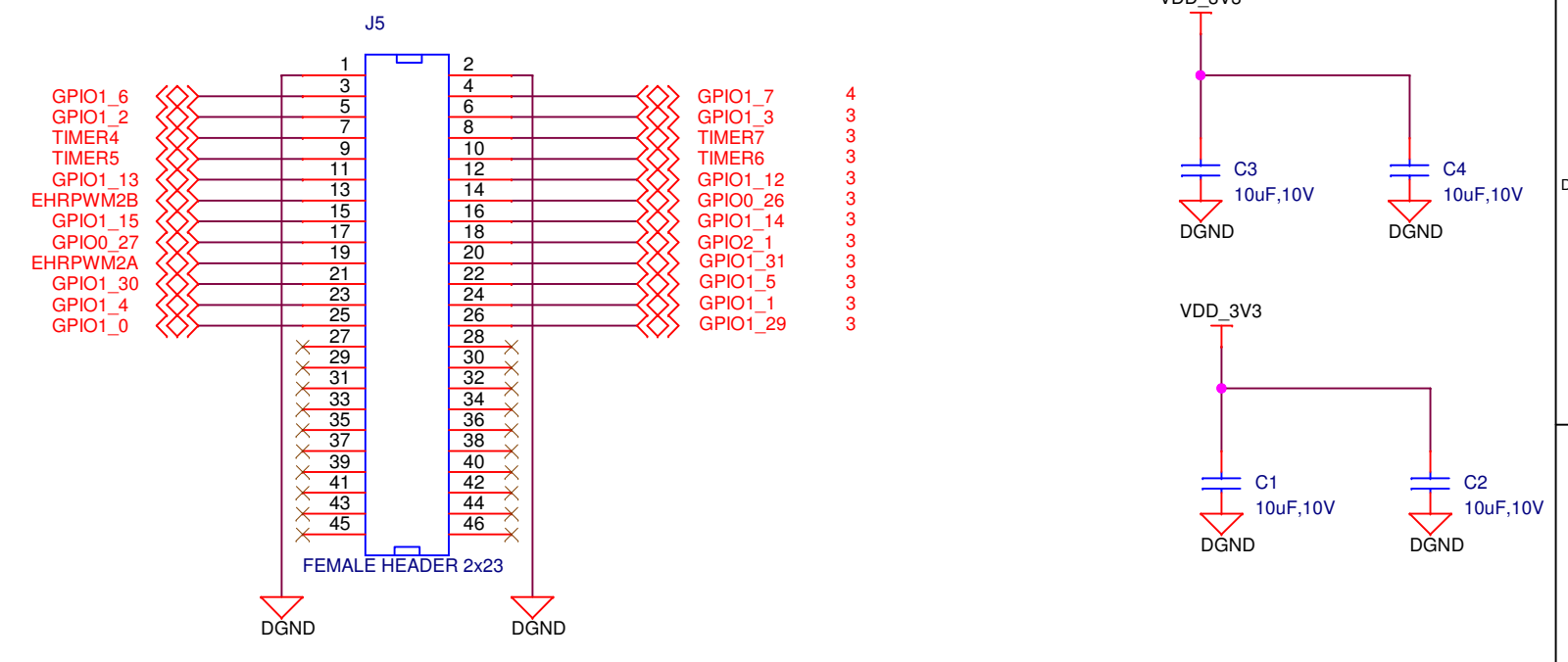
For more information, see http://creativecommons.org/license/results-one?license_code=by-sa

This work is licensed under the Creative Commons Attribution-Share Alike 3.0 Unported License. All derivative works are to be attributed to CircuitCo LLC.		 beagleboardtoys.com		1380 Presidential Dr. #100 Richardson, TX 75081 www.beagleboardtoys.com	
beagleboardtoys is owned by CircuitCo LLC.					
Title: BeagleBone LCD7 Cape COVER PAGE					
Size B	Document Number BBT-BONE-LCD7-01				Rev A2
Date: Friday, June 22, 2012		Sheet 1 of 5			

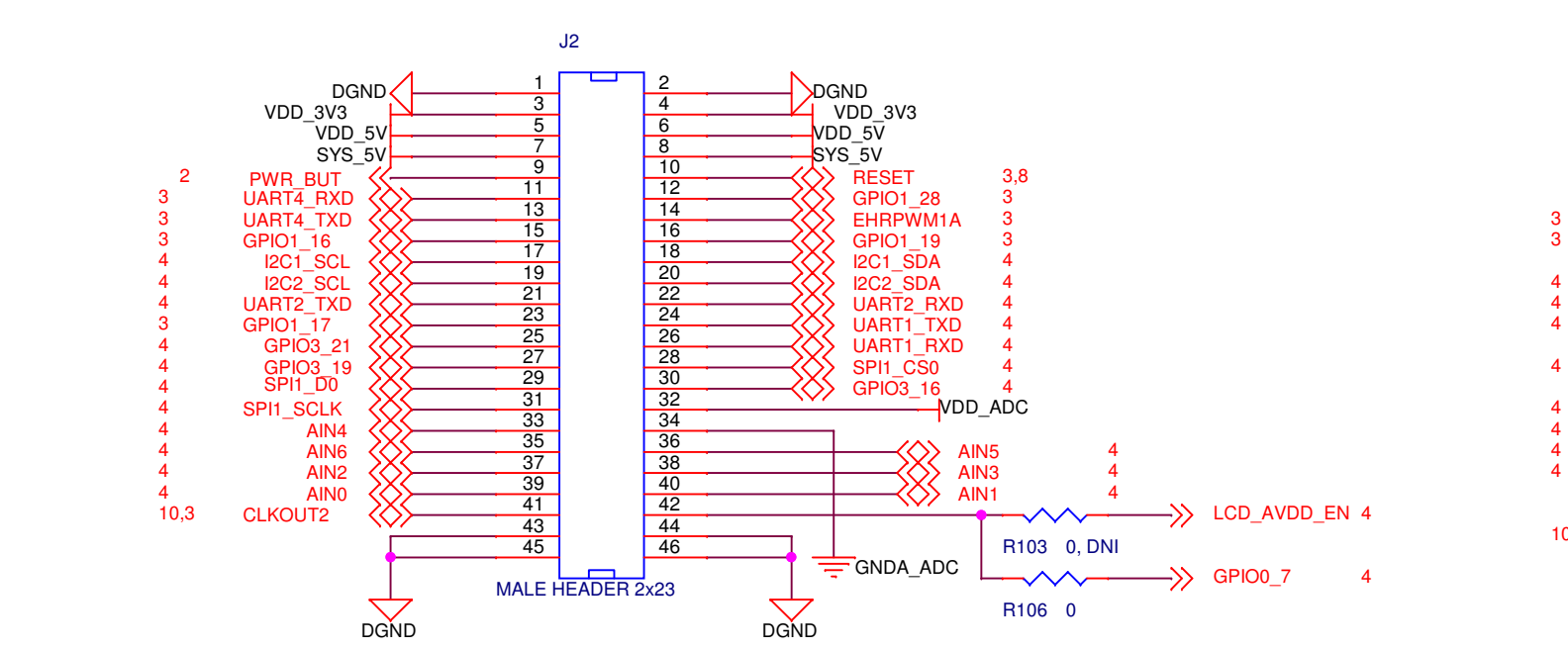
CONN A IN



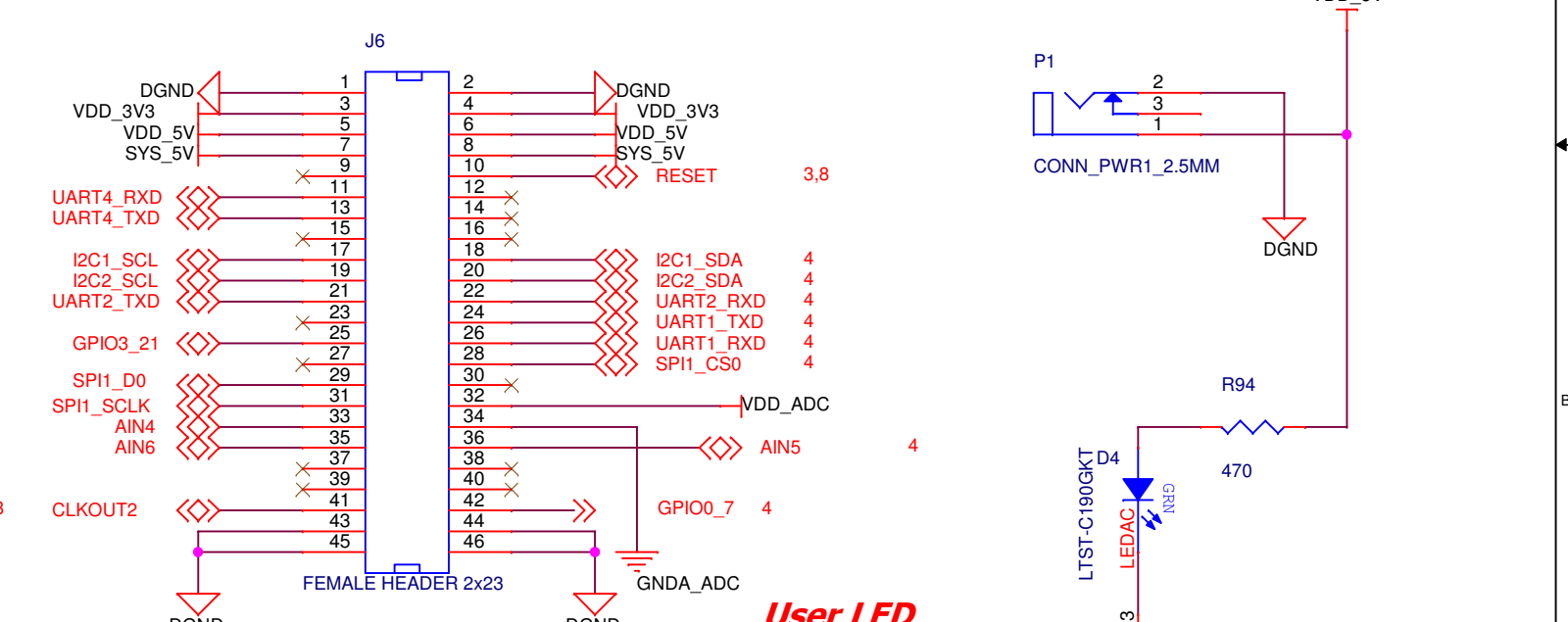
CONN A OUT



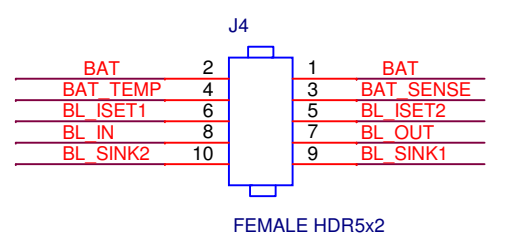
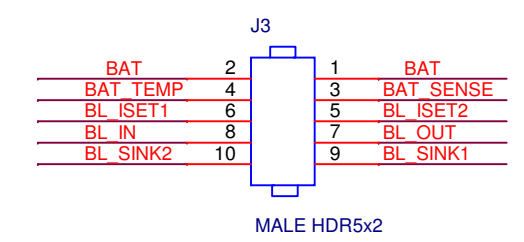
CONN B IN



CONN B OUT



EXPANSION HEADERS



This work is licensed under the Creative Commons Attribution-Share Alike 3.0 Unported License. All derivative works are to be attributed to CircuitCo LLC.

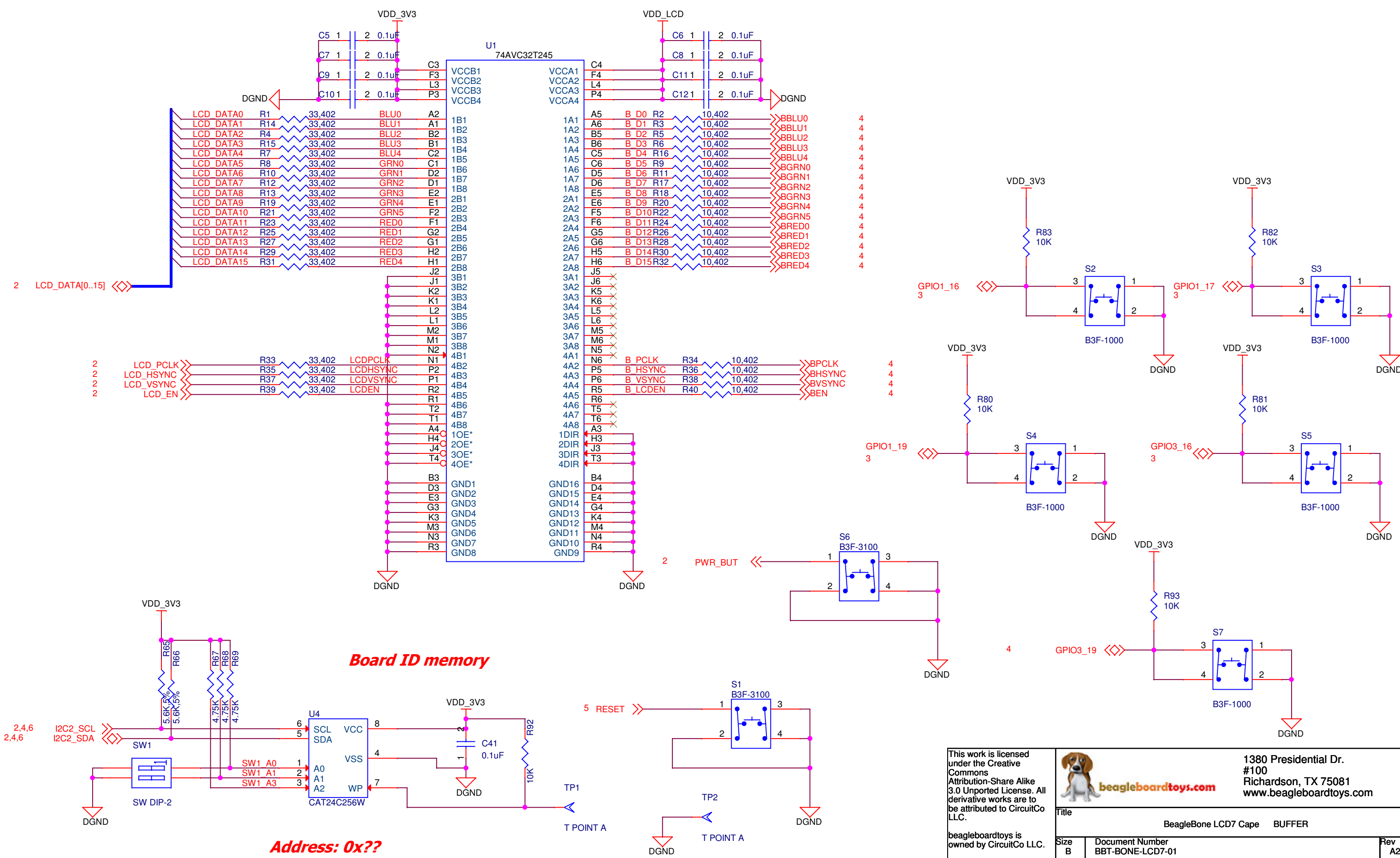
beagleboardtoys is owned by CircuitCo LLC.

1380 Presidential Dr.
#100
Richardson, TX 75081
www.beagleboardtoys.com

Title: BeagleBone LCD7 Cape HOST CONNECTORS		
Size: B	Document Number: BBT-BONE-LCD7-01	Rev: A2
Date: Monday, April 30, 2012	Sheet: 2	of 5

AUX_BL

User LED



Board ID memory

Address: 0x??

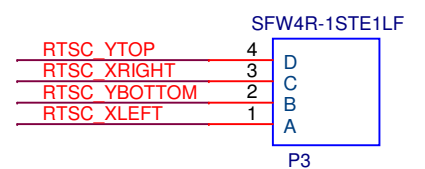
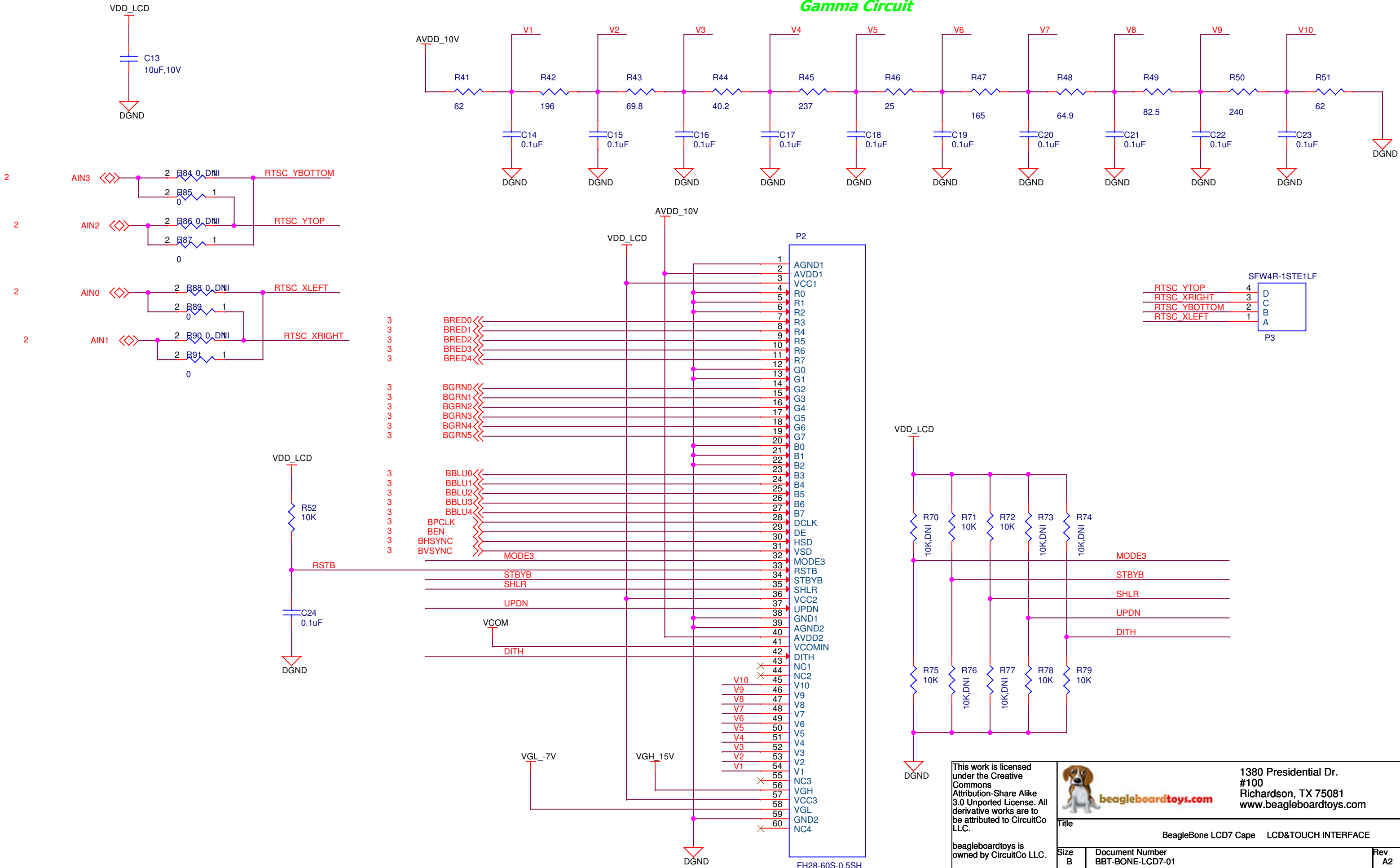
This work is licensed under the Creative Commons Attribution-Share Alike 3.0 Unported License. All derivative works are to be attributed to CircuitCo LLC.

1380 Presidential Dr.
#100
Richardson, TX 75081
www.beagleboardtoys.com

beagleboardtoys is owned by CircuitCo LLC.

Title BeagleBone LCD7 Cape BUFFER		
Size B	Document Number BBT-BONE-LCD7-01	Rev A2
Date:	Sunday, March 18, 2012	Sheet 3 of 5

Gamma Circuit

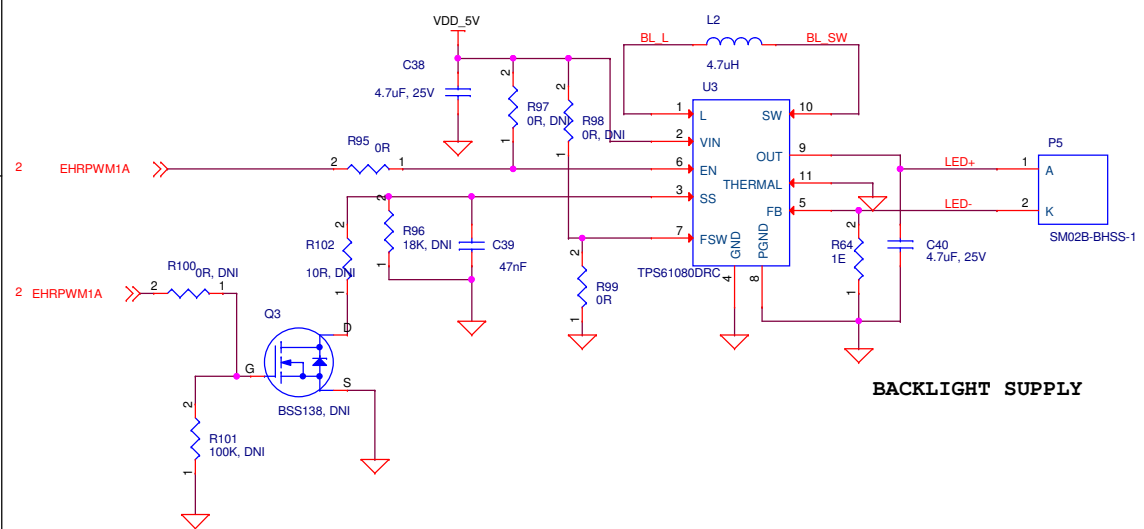
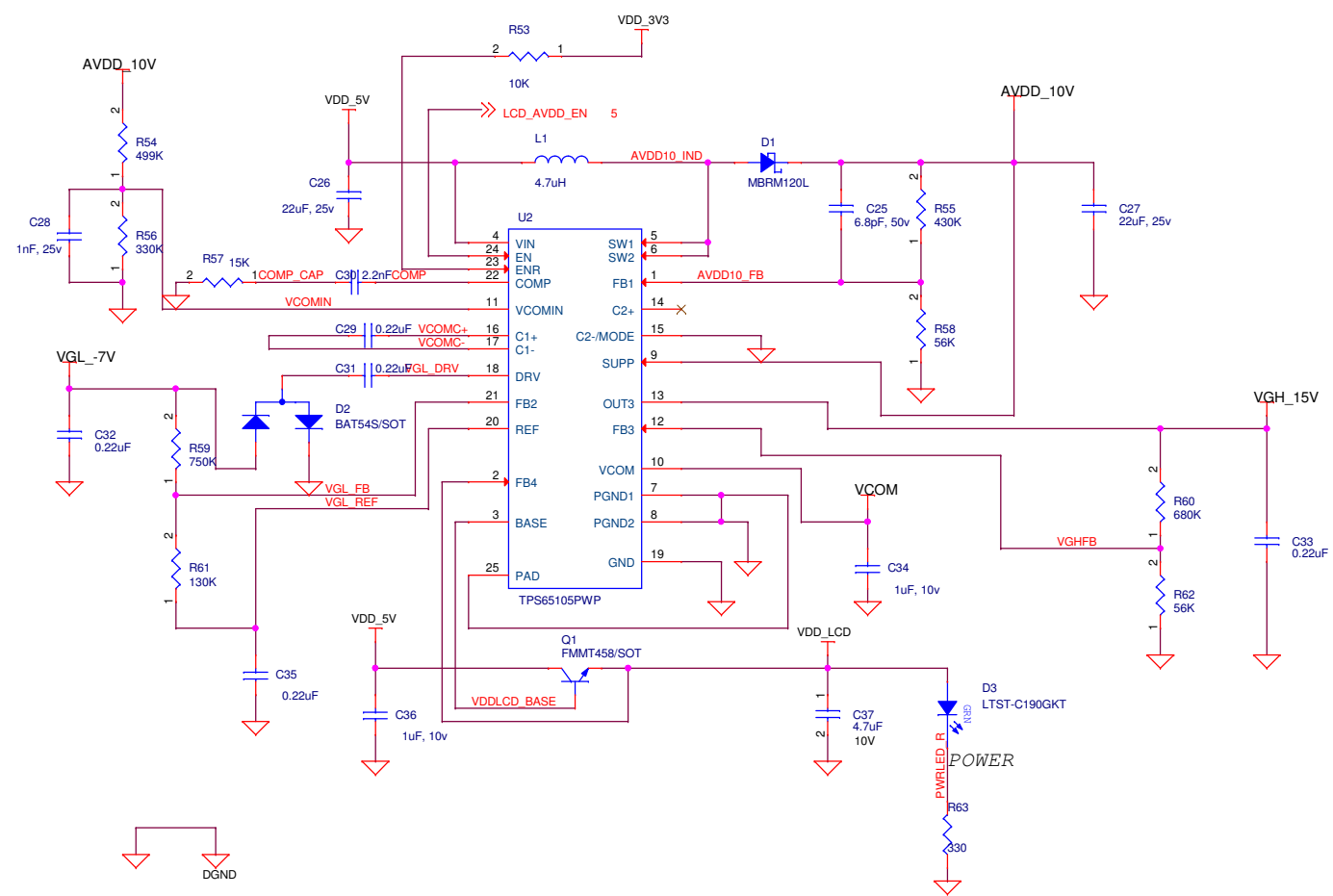


This work is licensed under the Creative Commons Attribution-Share Alike 3.0 Unported License. All derivative works are to be attributed to CircuitCo LLC.

beagleboardtoys is owned by CircuitCo LLC.

1380 Presidential Dr.
#100
Richardson, TX 75081
www.beagleboardtoys.com

Title		
BeagleBone LCD7 Cape LCD&TOUCH INTERFACE		
Size	Document Number	Rev
B	BBT-BONE-LCD7-01	A2
Date:	Monday, April 30, 2012	Sheet 4 of 5



This work is licensed under the Creative Commons Attribution-Share Alike 3.0 Unported License. All derivative works are to be attributed to CircuitCo LLC.



1380 Presidential Dr.
#100
Richardson, TX 75081
www.beagleboardtoys.com

Title			BeagleBone LCD7 Cape LCD POWER		
Size	Document Number	Rev			
C	BBT-BONE-LCD7-01	A2			
Date:	Friday, June 22, 2012	Sheet	5	of	5