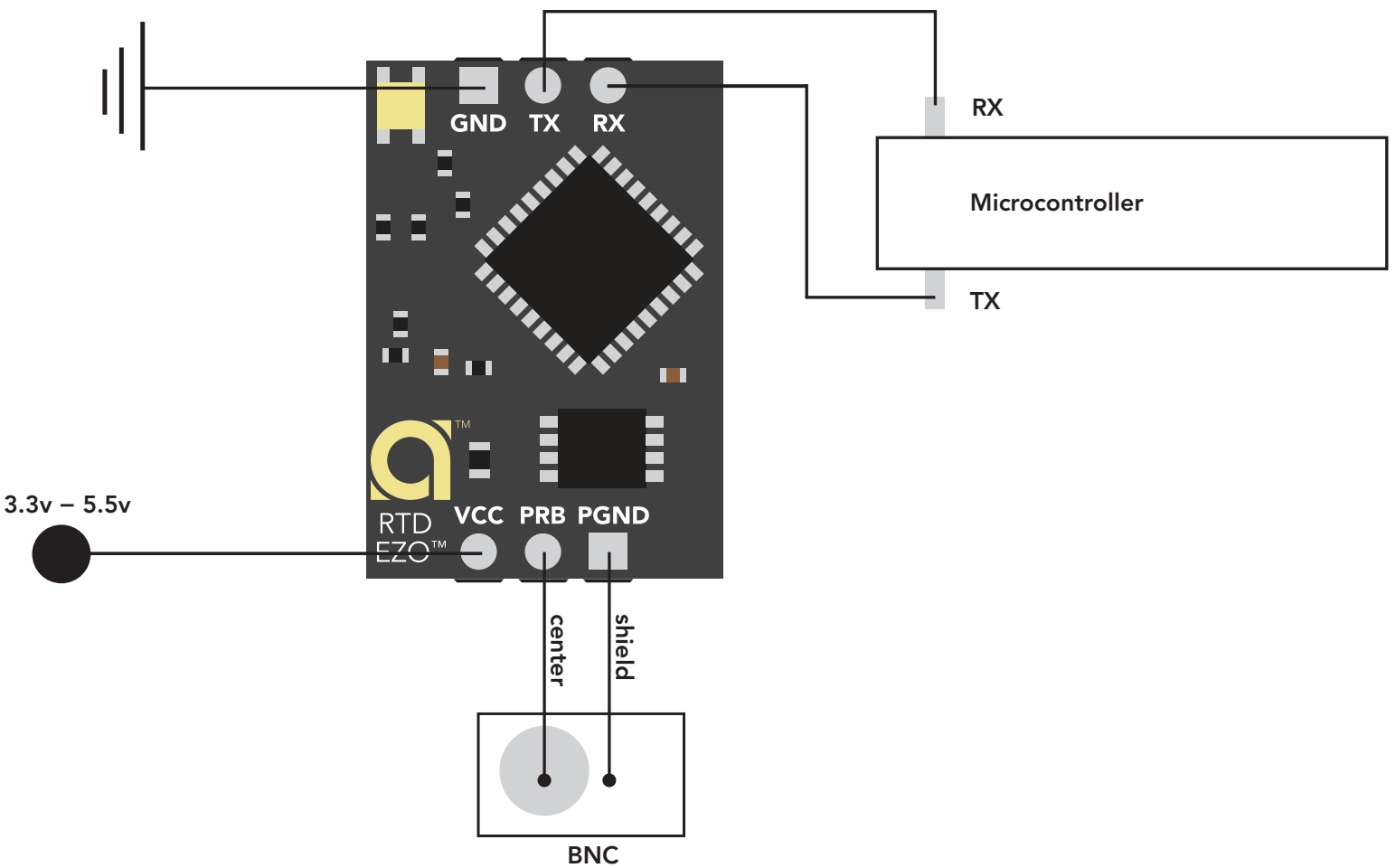


# EZO™ RTD Circuit Wiring diagram

- To connect the Circuit to your microcontroller, follow the diagram below.
- Make sure your Circuit and microcontroller share a common ground.
- *Isolation is not needed for the EZO™ RTD Circuit.*

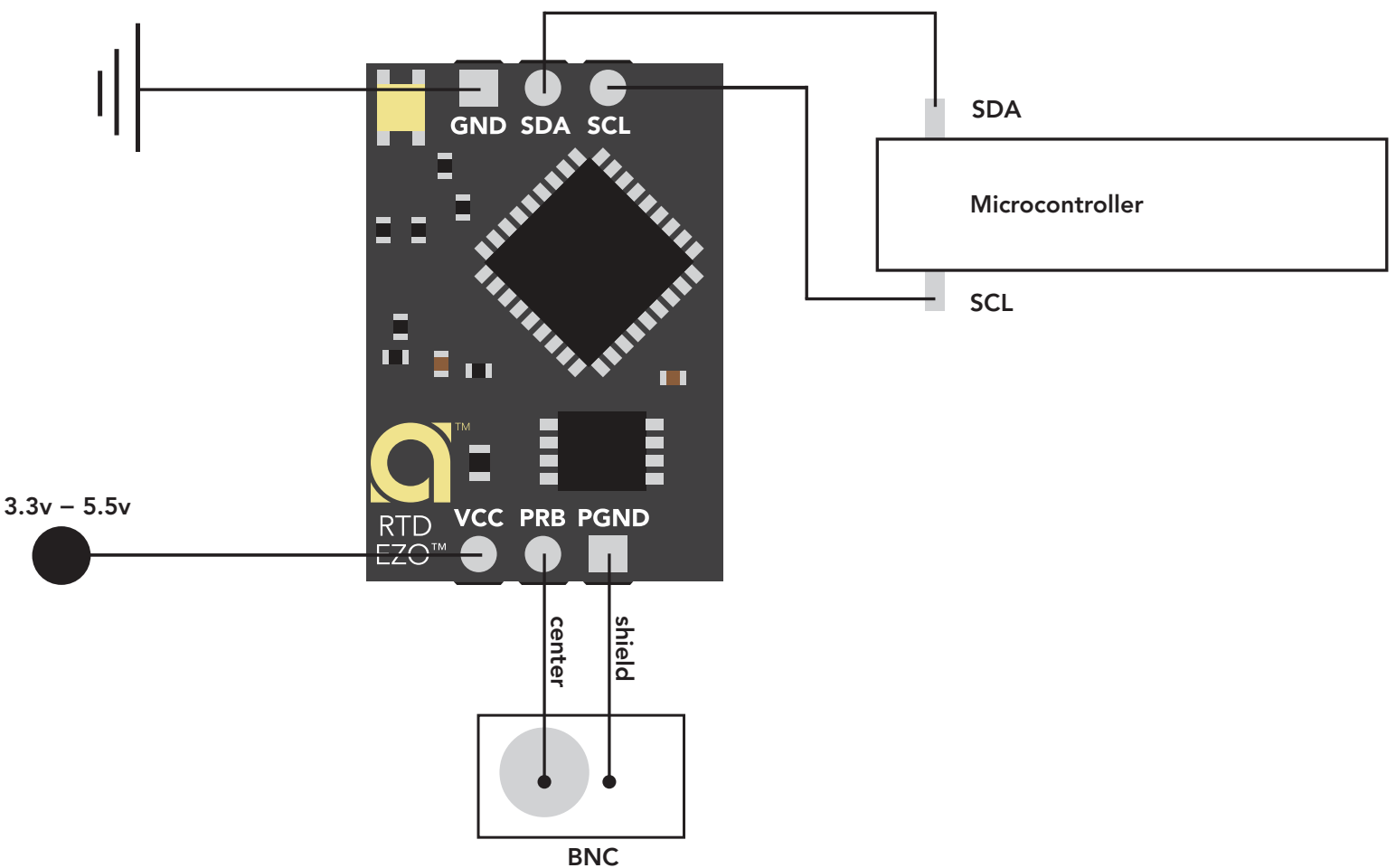
## UART Mode

- TX on your Circuit connects to RX on your microcontroller.

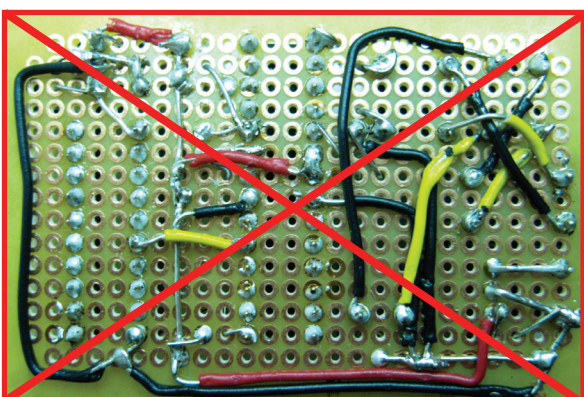


## I<sup>2</sup>C Mode

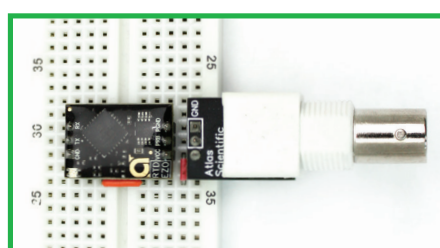
- SDA on your Circuit connects to SDA on your microcontroller.
- SCL on your Circuit connects to SCL on your microcontroller.



Protoboards or Perfboards should never be used.



Correct



Incorrect

