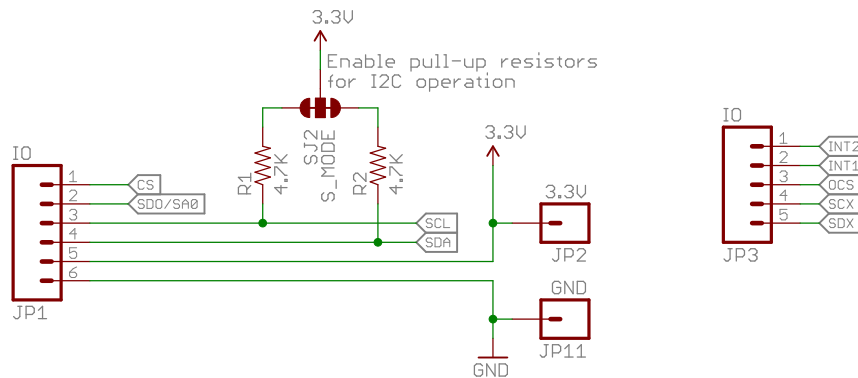
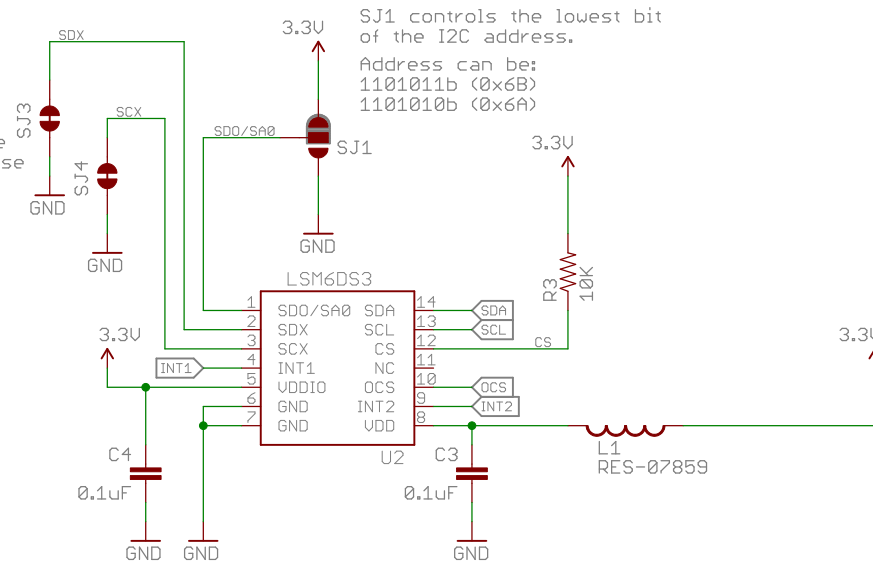


LSM6DS3

SERIAL MODES
 MODE1: Slave-only mode
 I2C or SPI
 MODE2: Sensor Hub mode
 I2C or SPI with master I2C port
 MODE3: AUX SPI mode
 I2C and SPI access (Multi-read)

If downstream SPI devices are hosted by the LSM6DS3, release SCx and SDx from ground by opening SJ3 and SJ4.



Released under the Creative Commons Attribution Share-Alike 4.0 License
<https://creativecommons.org/licenses/by-sa/4.0/>

TITLE: LSM6DS3_Breakout_v10

Design by: Marshall Taylor

REV:
v10

Date: 8/6/2015 3:20:12 PM

Sheet: 1/1