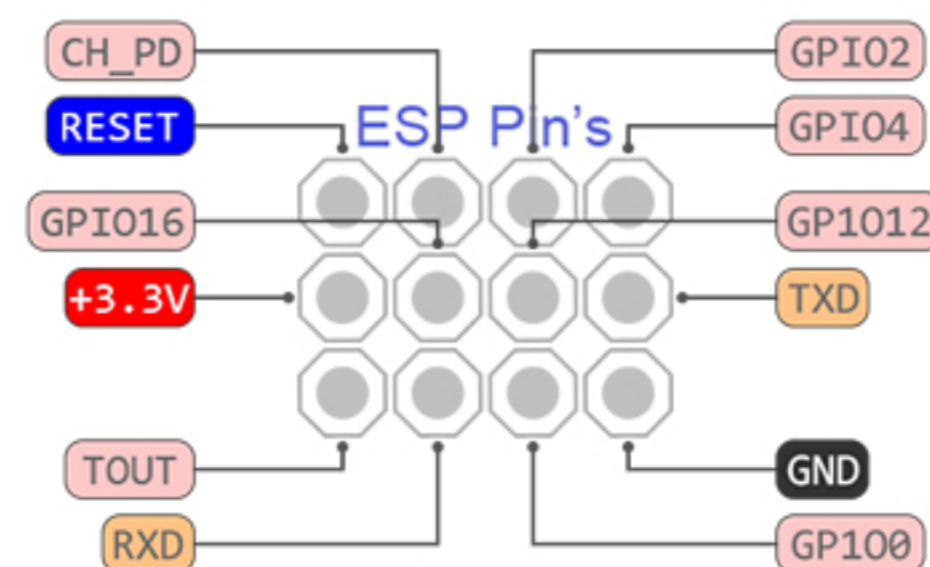
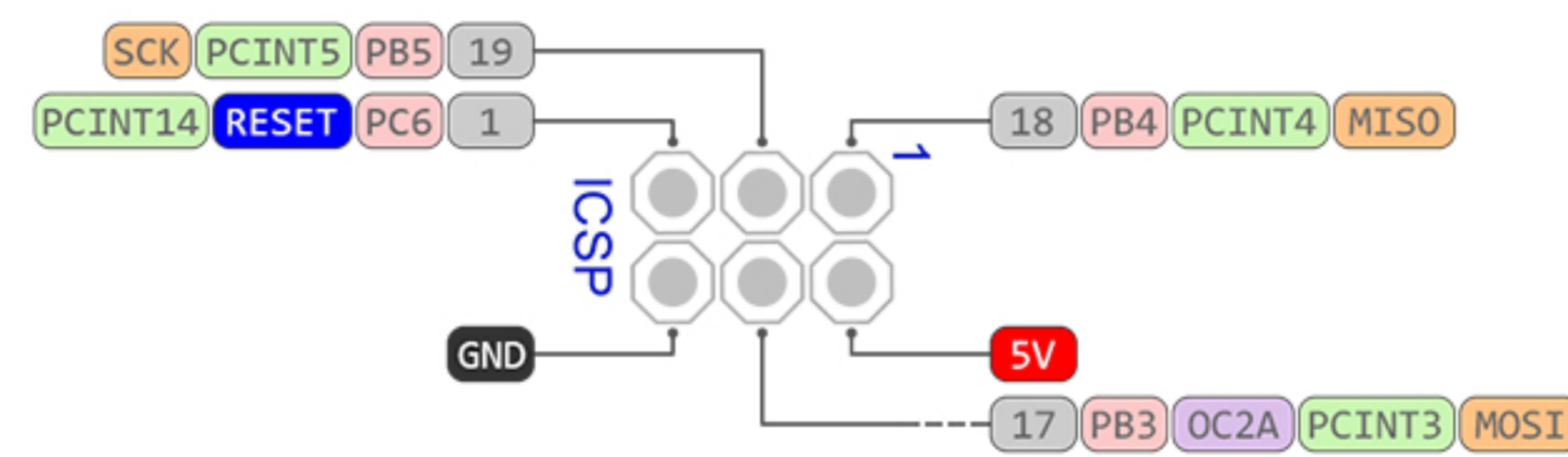
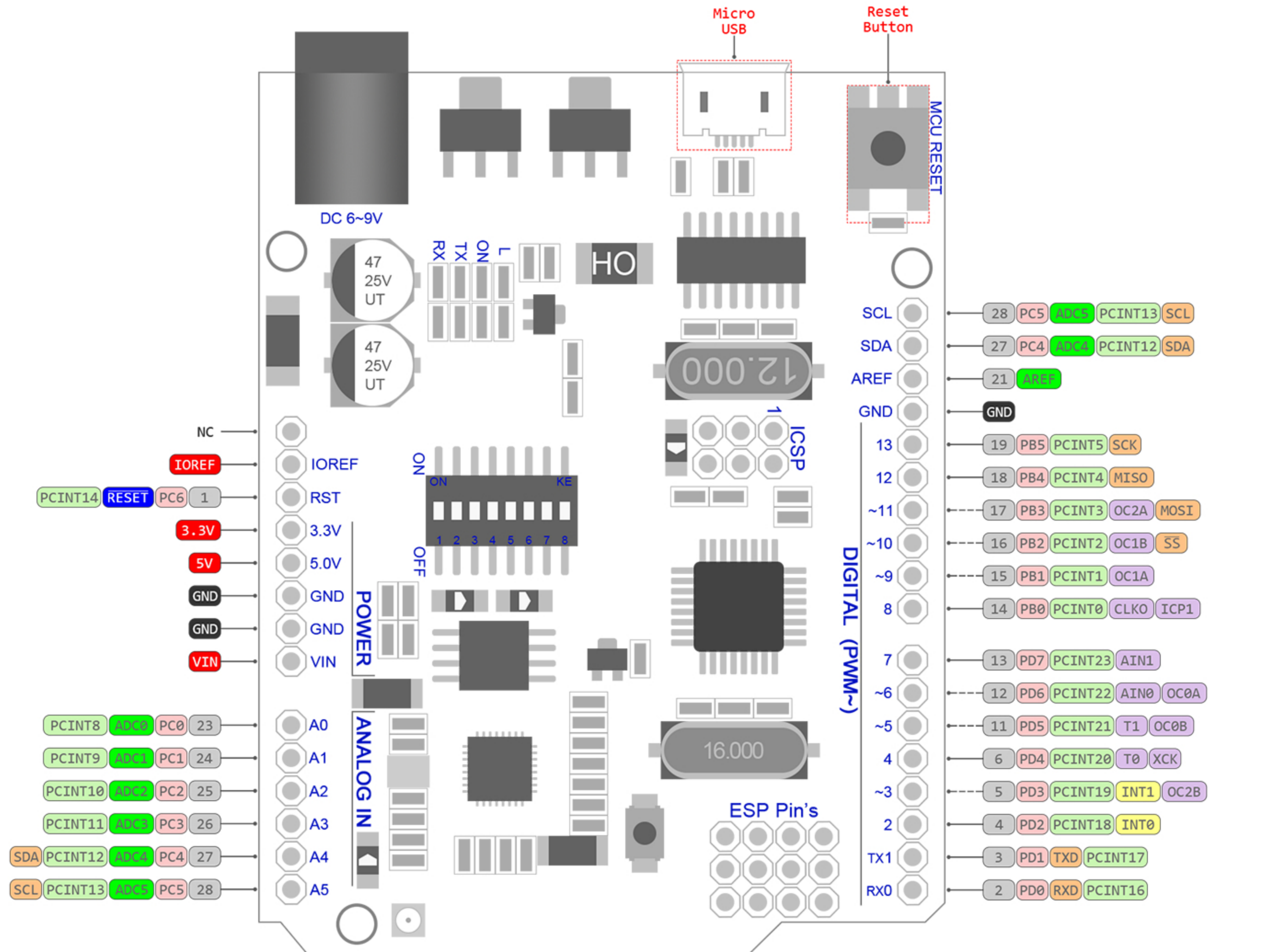


UNO+WiFi R3 ATmega328P+ESP8266
8Mb flash, USB-TTL CH340G, Micro-USB



- PWM-Wire
- Power
- Control
- GND
- Analog Pin
- Physical Pin
- Port Pin
- Serial Pin
- Interrupt Pin
- Pin function
- INT