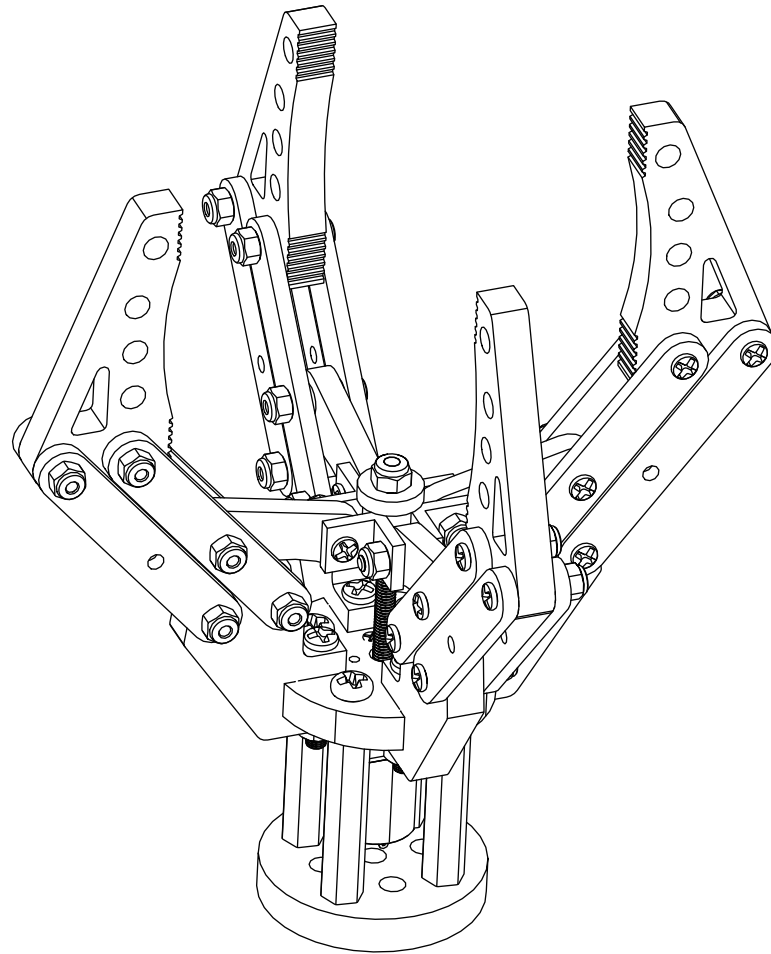
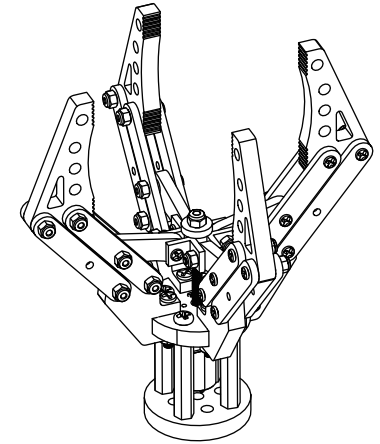
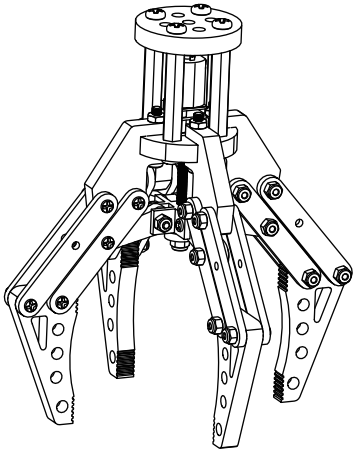


# Makeblock

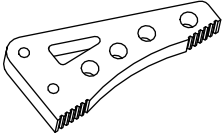
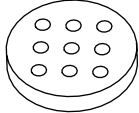
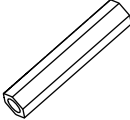

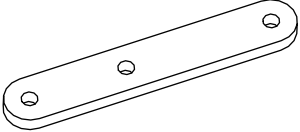
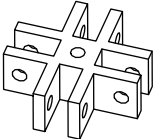


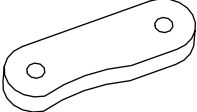


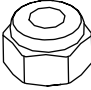
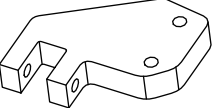
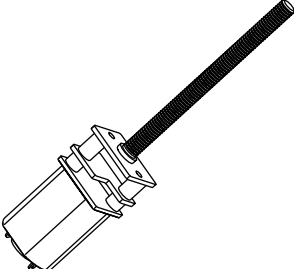

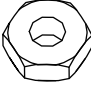
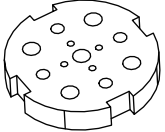


CONSTRUCT YOUR DREAMS



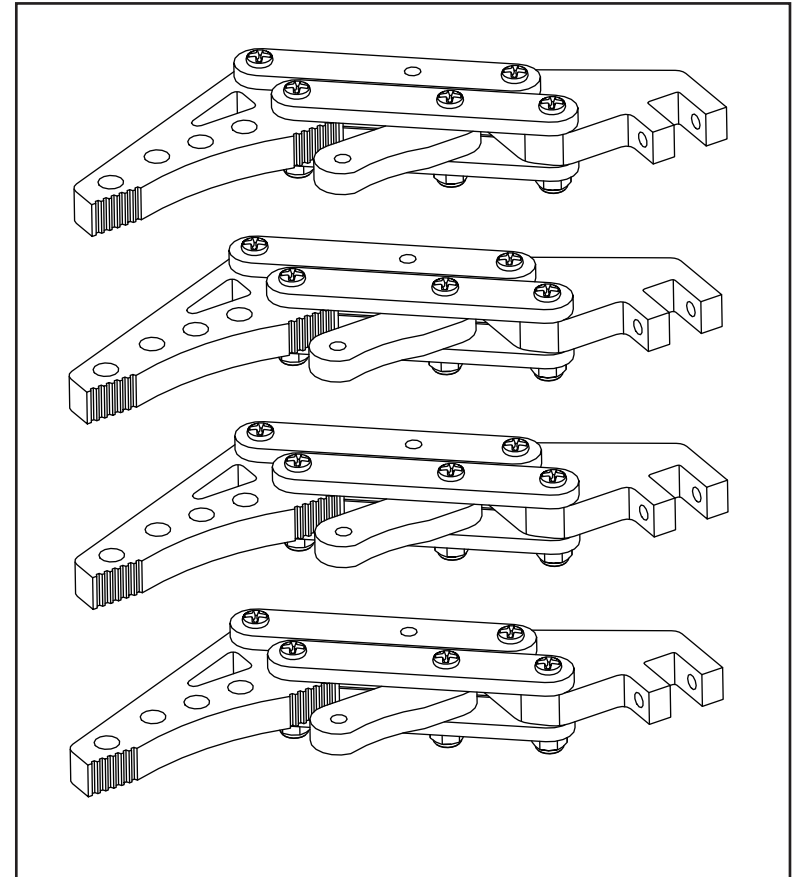
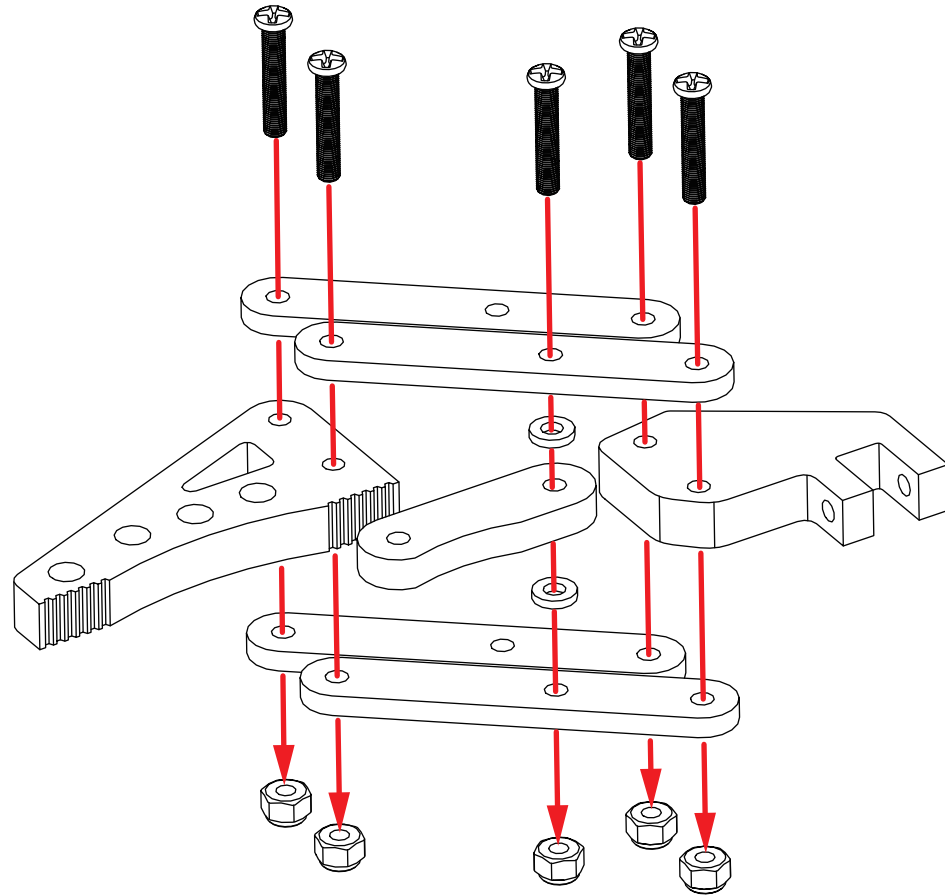
## GUIDE FOR BUILDING THE **GRIPPER**

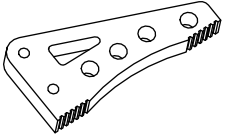
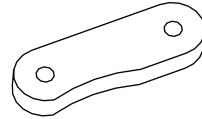
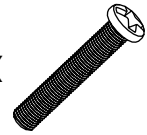

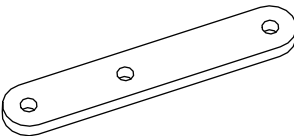
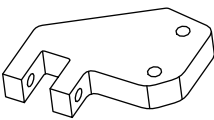



# Part list

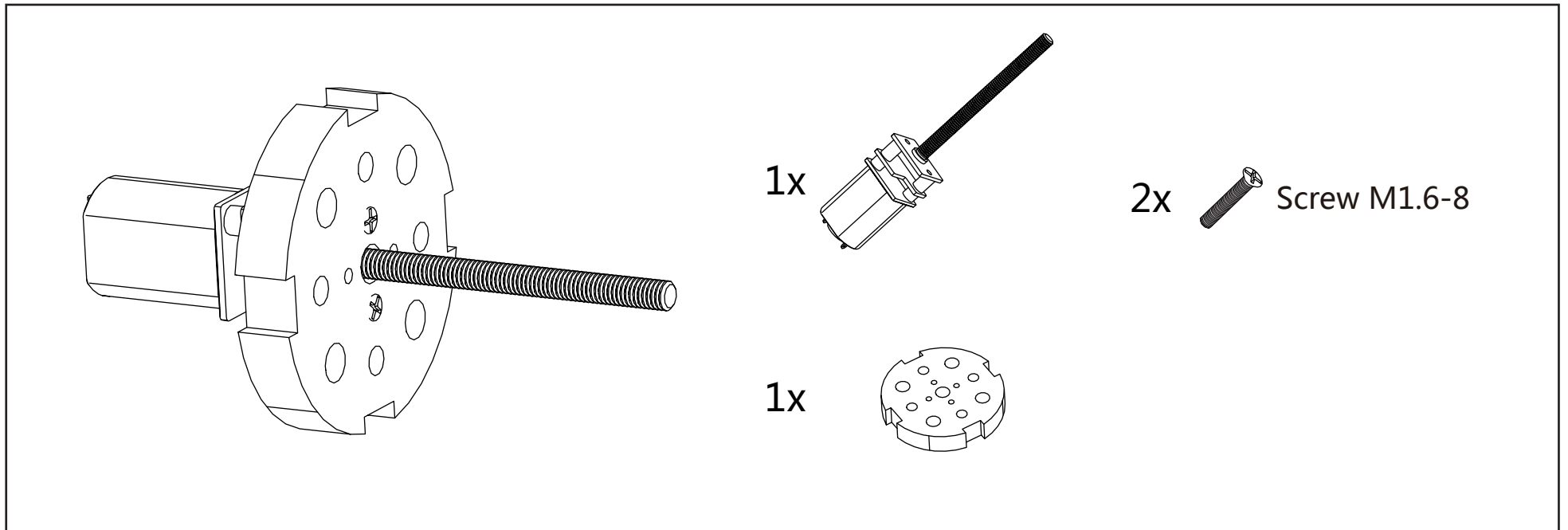
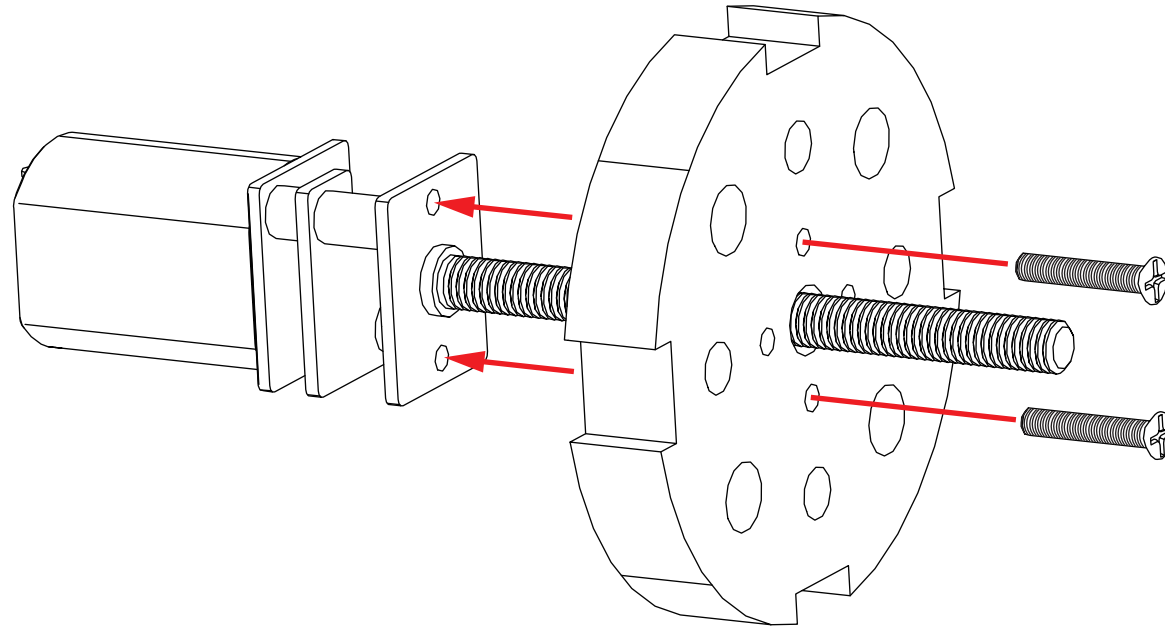
4x 	1x 	4x  Nylon Stud-M4	2x  Screw M1.6-8
16x 	1x 	8x  M4-10	24x  Locknut M2.5
4x 	1x 	4x  M3-18	1x  Locknut M3
4x 	1x 	4x  M2.5-12	4x  Nut M3
1x 		20x  M2.5-14	8x  Plastic ring 2.5

1

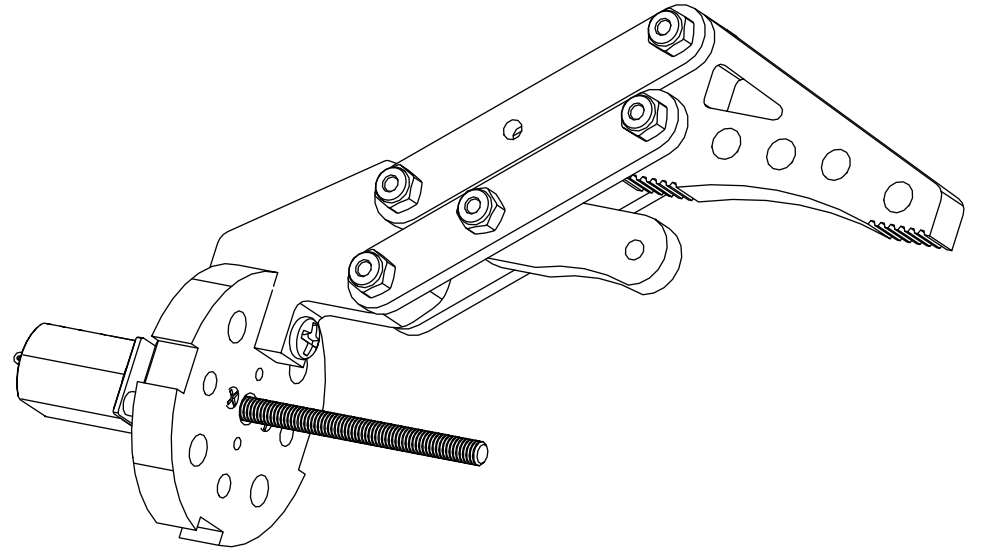
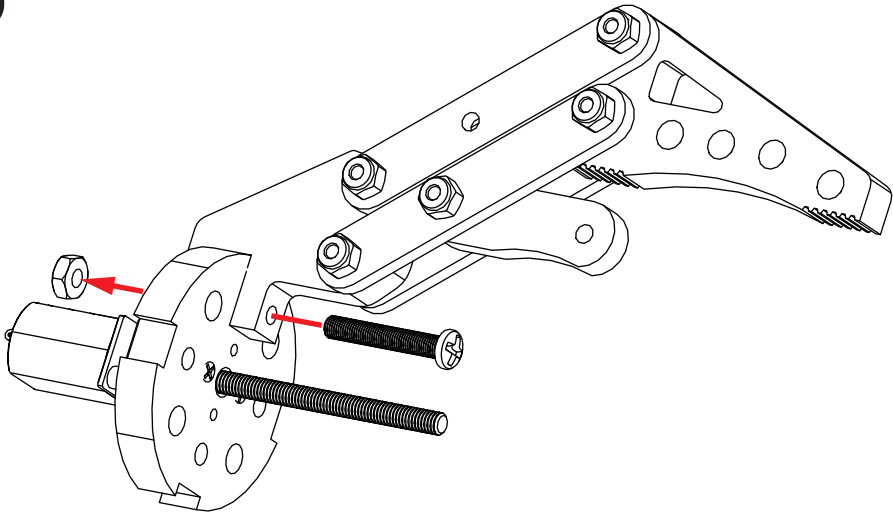


- |     |   |    |  |     |   |              |    |   |                  |
|-----|---|----|--|-----|---|--------------|----|---|------------------|
| 4x  |  | 4x |   | 20x |  | M2.5-14      | 8x |  | Plastic ring 2.5 |
| 16x |  | 4x |  | 20x |  | Locknut M2.5 |    |   |                  |

2



3



4x

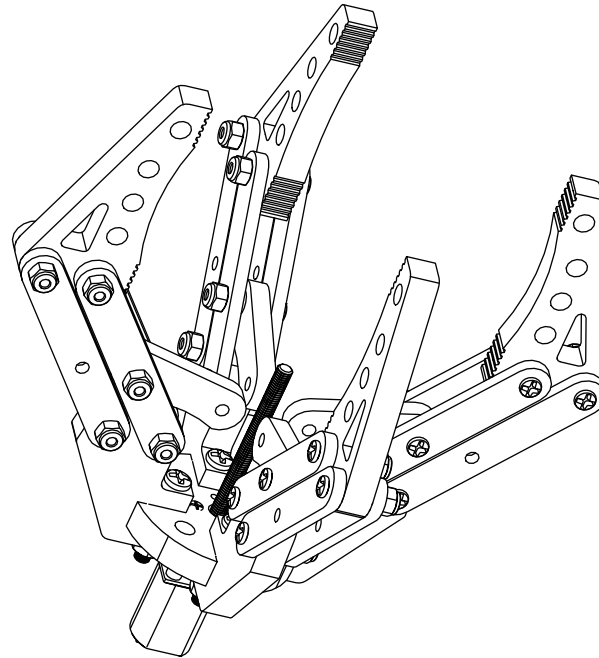


M3-18

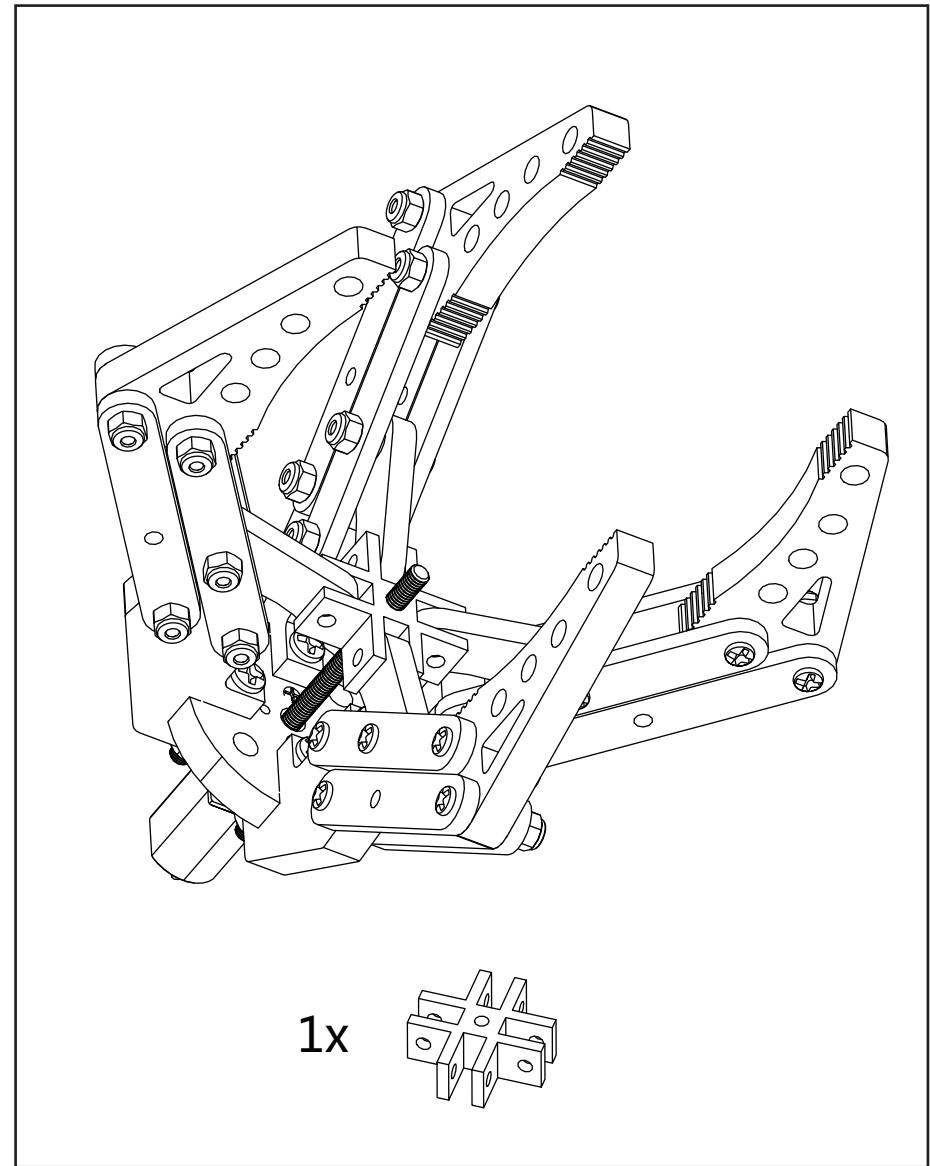
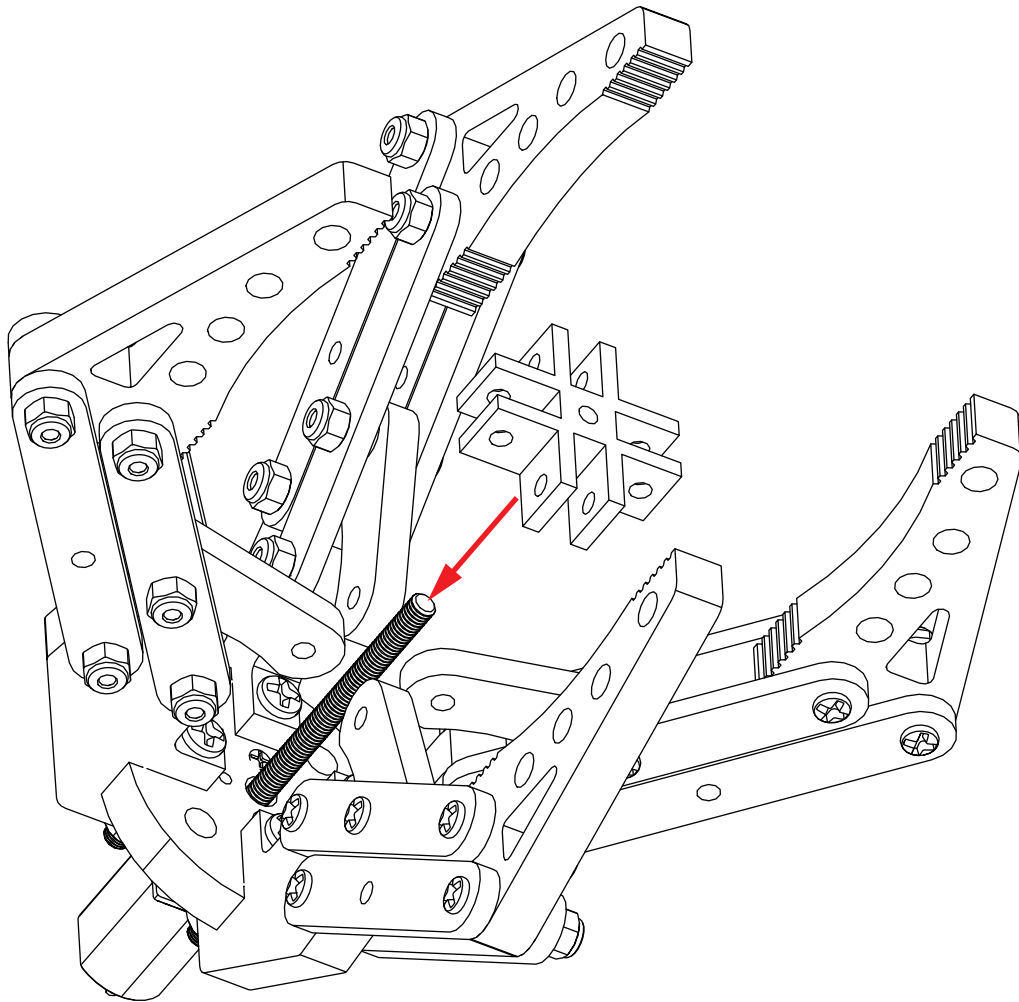
4x



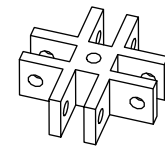
Nut M3



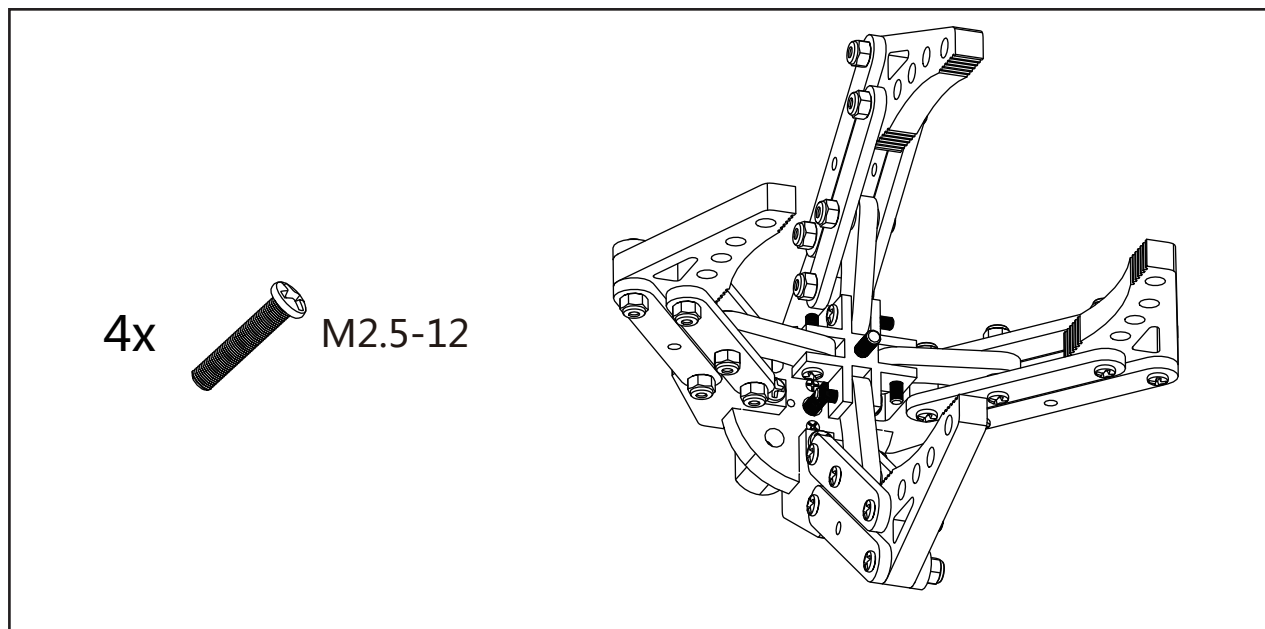
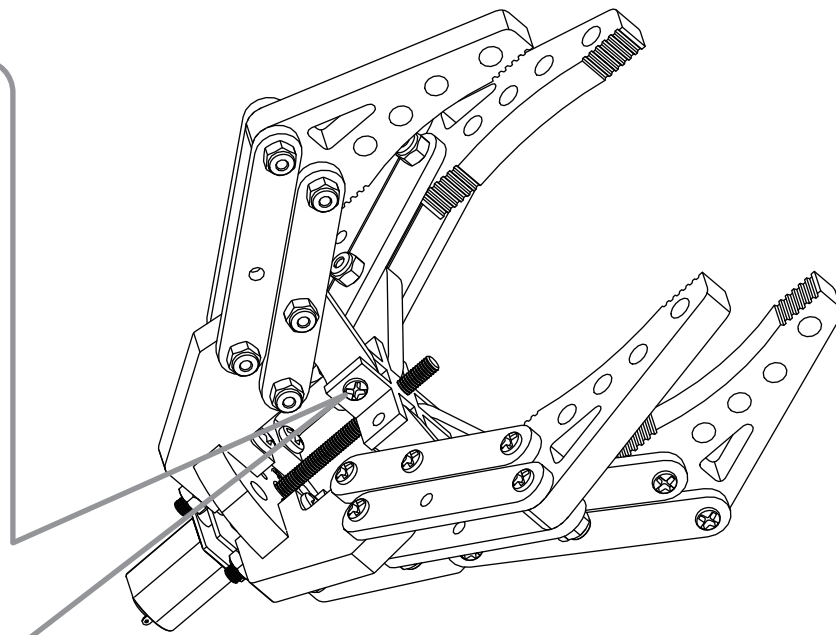
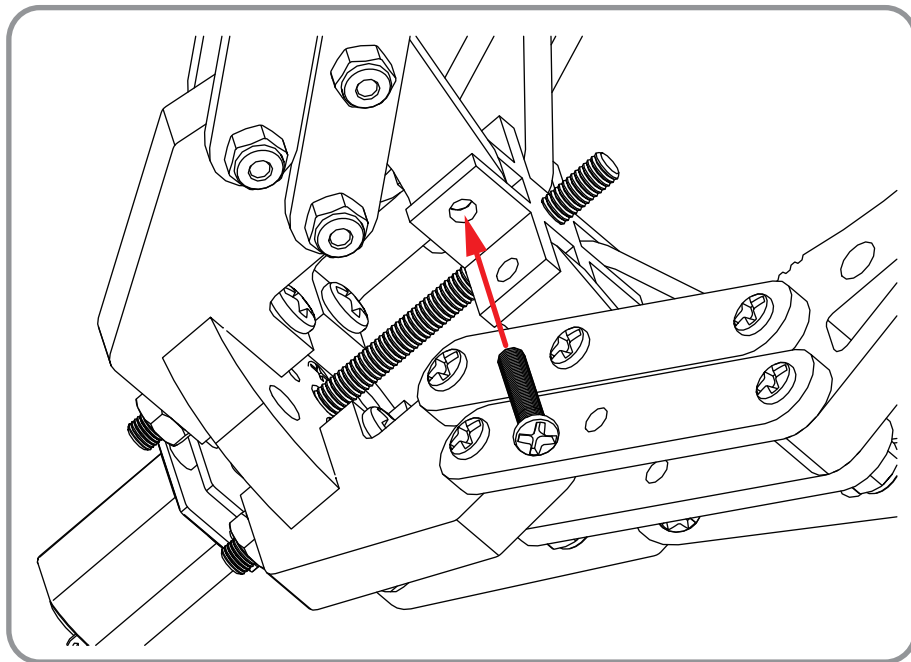
4



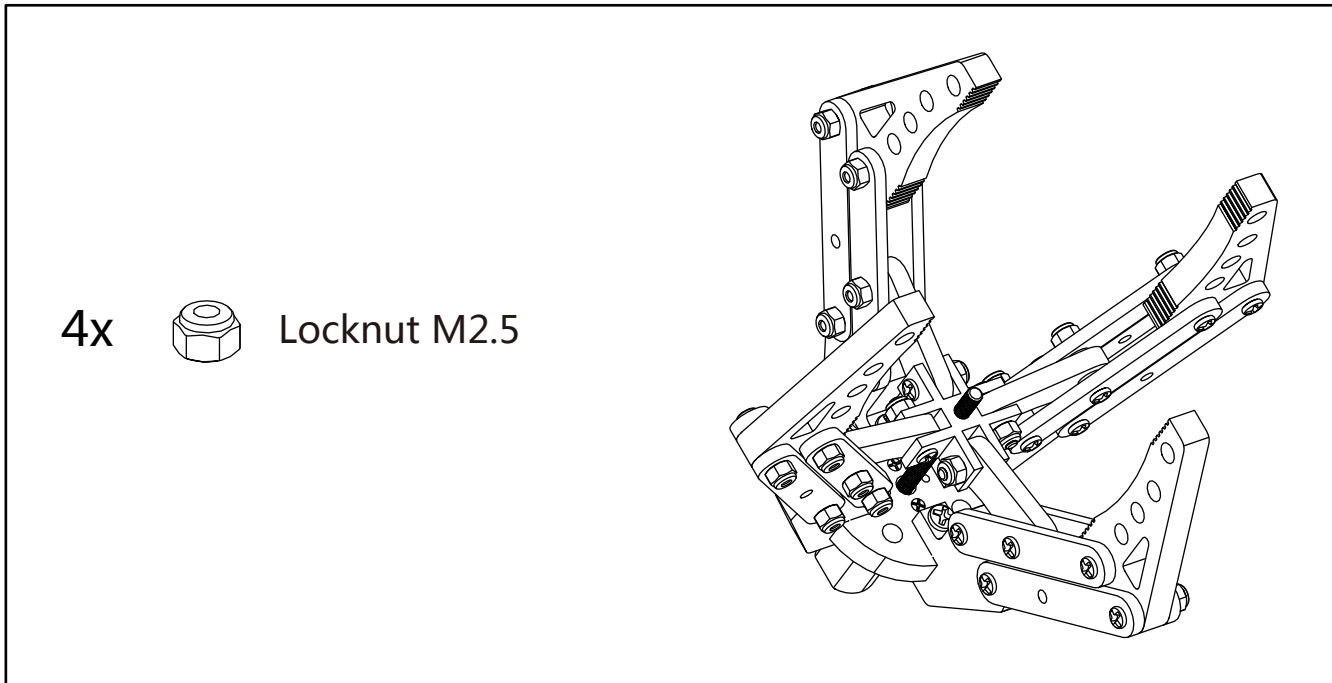
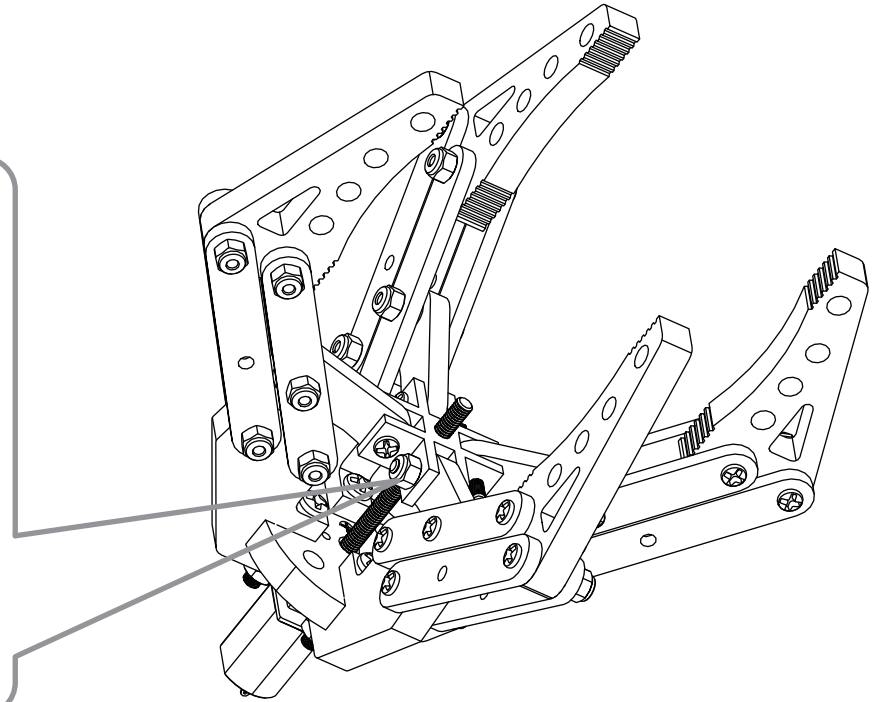
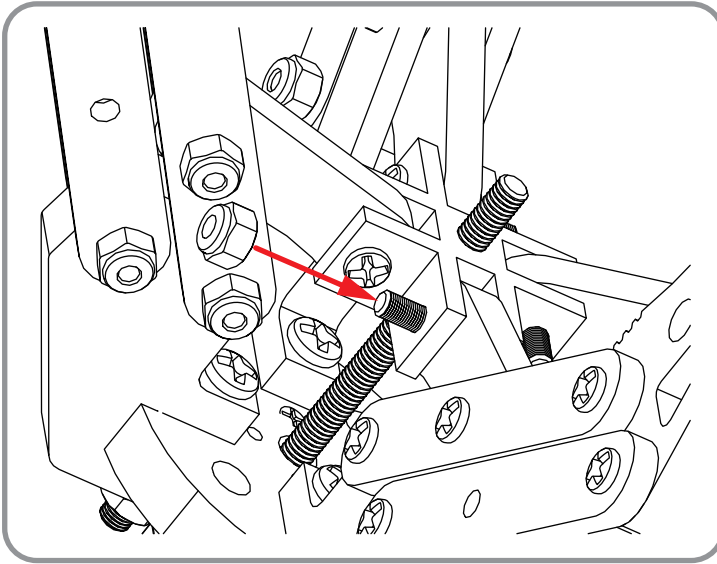
1x



5

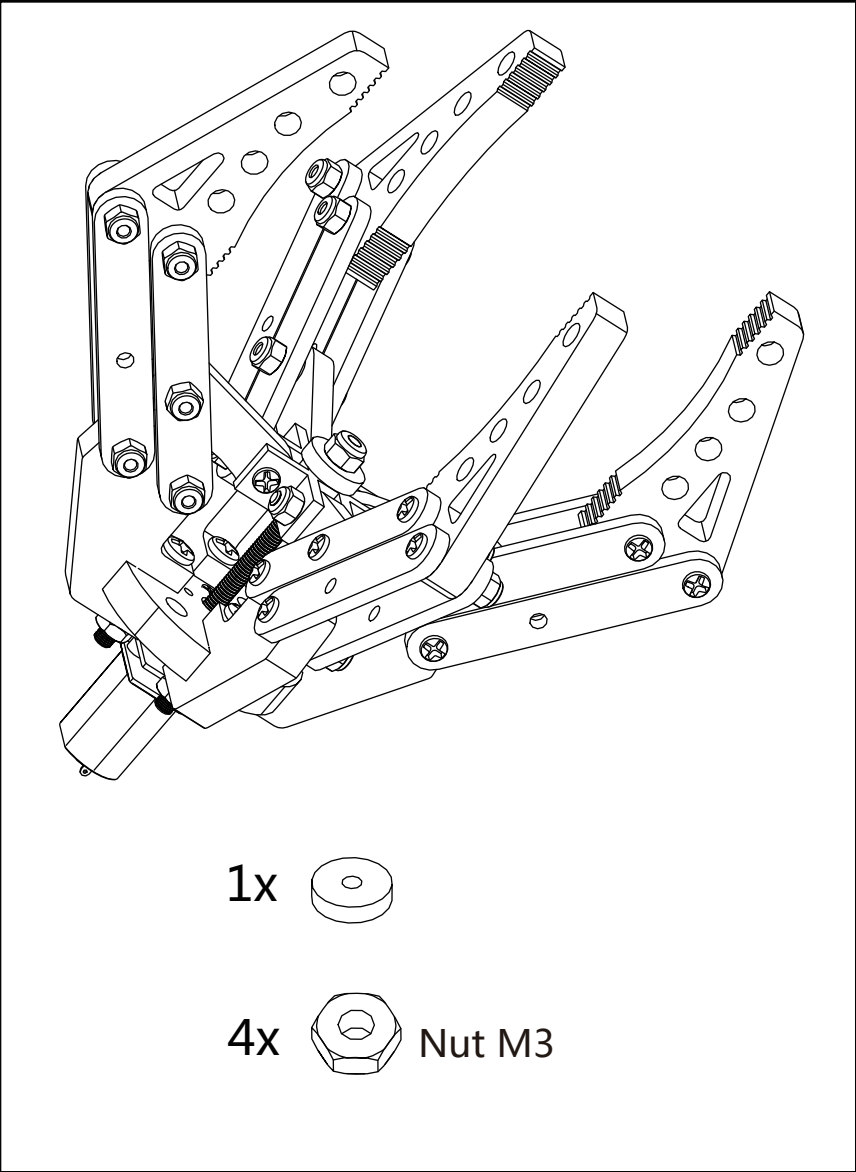
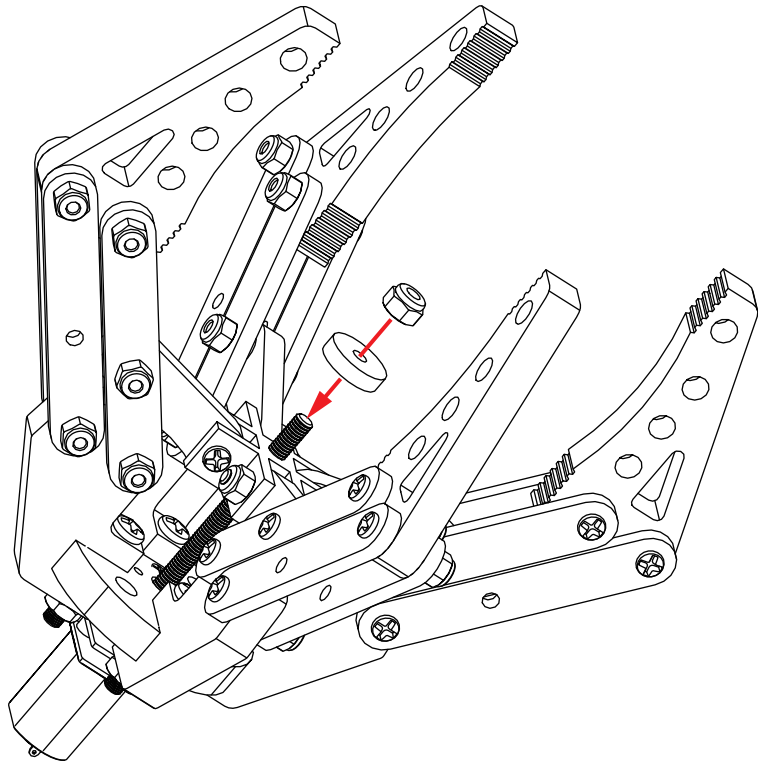


6

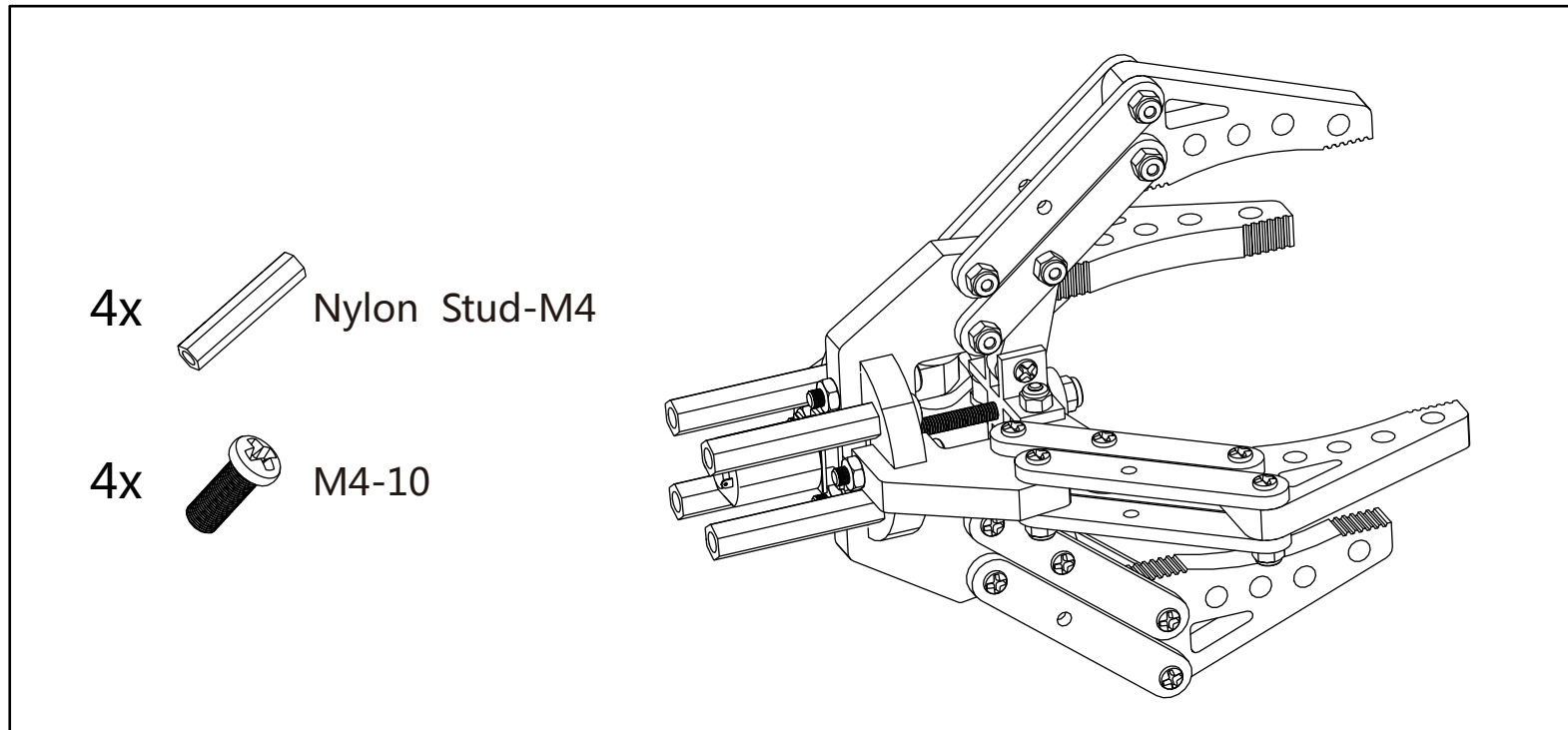
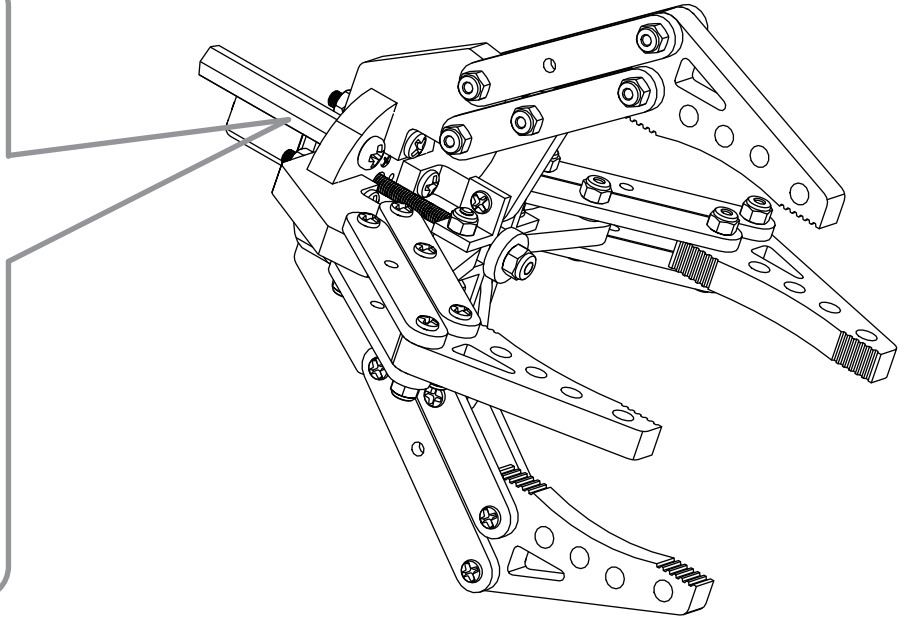
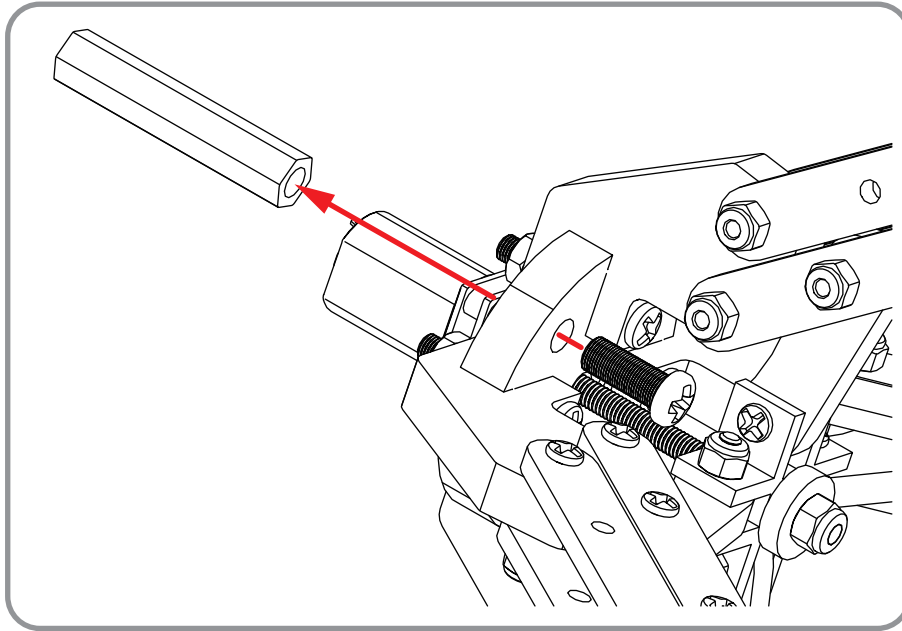




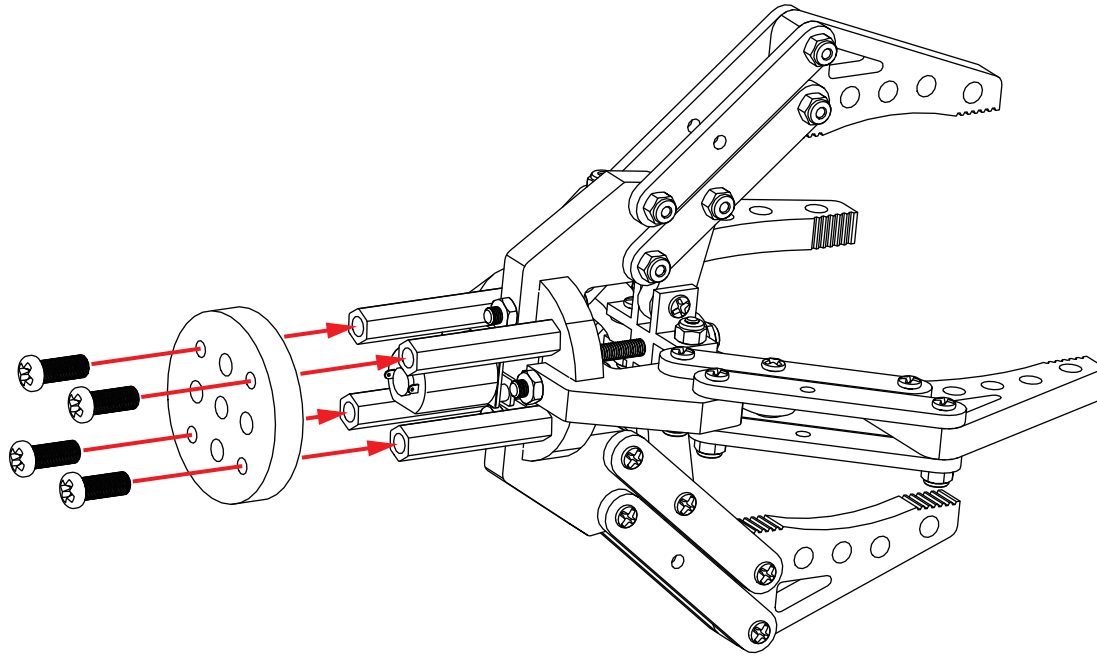
7



8



9



**DONE**

