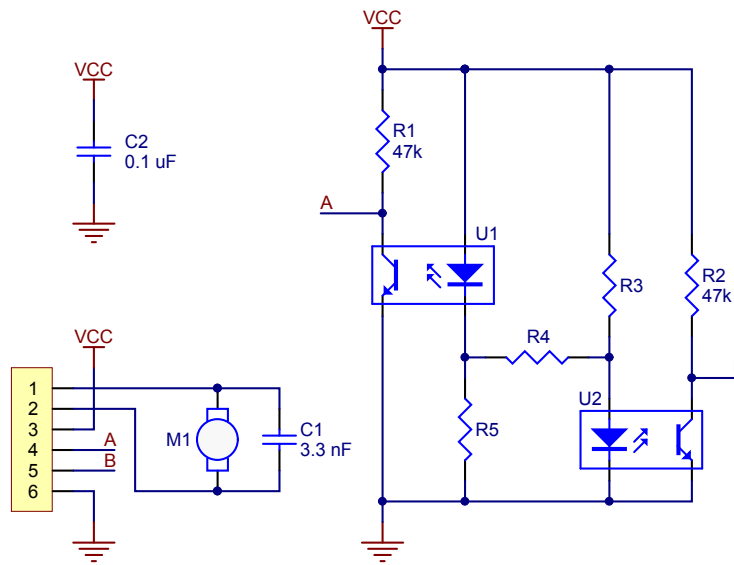


Optical Encoder for Micro Metal Gearmotor

©2013 Pololu Corporation
www.pololu.com



5 V version: R4 = 220 Ω , R3 and R5 not populated (emitters in series)

3.3 V version: R4 not populated, R3 and R5 = 180 Ω (emitters in parallel)