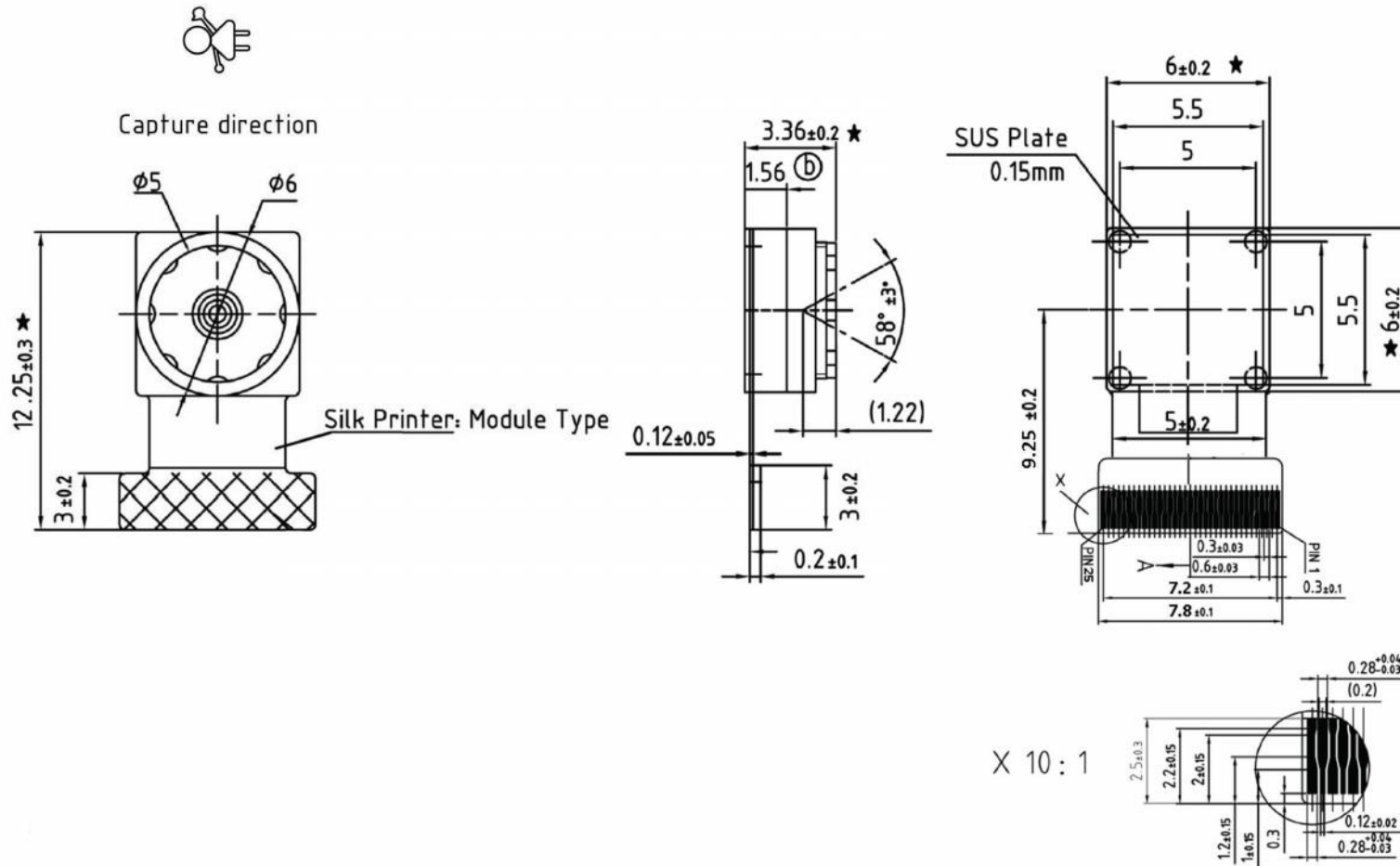


RoHS

VGA CMOS CAMERA MODULE



X 10 : 1

Pin	#01	#02	#03	#04	#05	#06	#07	#08	#09	#10	#11	#12	#13	#14	#15	#16	#17	#18	#19	#20	#21	#22	#23	#24	#25
	NC	NC	NC	Y0	Y1	Y2	Y3	Y4	Y5	Y6	Y7	SIO_C	SIO_D	DGND	XCLK1	HREF	PCLK	AGND	AVDD	DOVDD	VSYN	NC	NC	NC	PWON

EFL	1.8	Chip Type	OV7675
F.NO	2.8	Array Size	640x480
View Angle	$58^\circ \pm 3^\circ$	Lens Size	1/9 inch
Distortion	<1.0%	AVDD	2.6V to 3.0V
Image quality	≥ 200 LW/PH(AT=0.23M)	DOVDD	1.7V to 3.0V
Focusing Range	0.12M - ∞ (AT=0.23M)		

Z1	Z2	Z3	Z4	Z5	mm	SL	Sunny Optic
SJ	S	A	B	MC			
GEN-TITLE-PLOT{2.94}							DH