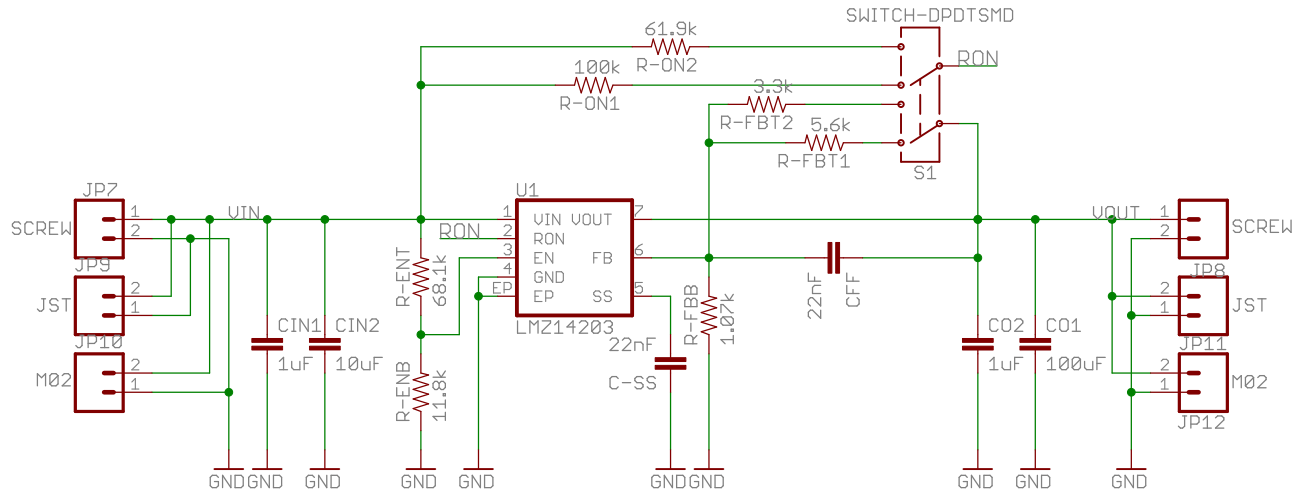


$$V_{inuvlo} = 1.18(1 + R_{ent}/R_{enb}) = 7.99V$$

$$U_o = 0.8V * (1 + R_{fbt}/R_{fbb})$$

Don't switch voltages while the LMZ14203 is powered



Released under the Creative Commons Attribution Share-Alike 3.0 License  
<http://creativecommons.org/licenses/by-sa/3.0>  
 Design by:

|                              |  |            |
|------------------------------|--|------------|
| ⊗ ⊗                          |  | ○ ○        |
| ○ ○                          |  |            |
| TITLE: LMZ14203-Breakout-v16 |  | SFE SFE    |
| Document Number:             |  | REV:       |
| Date: 8/23/2010 2:42:50 PM   |  | Sheet: 1/1 |