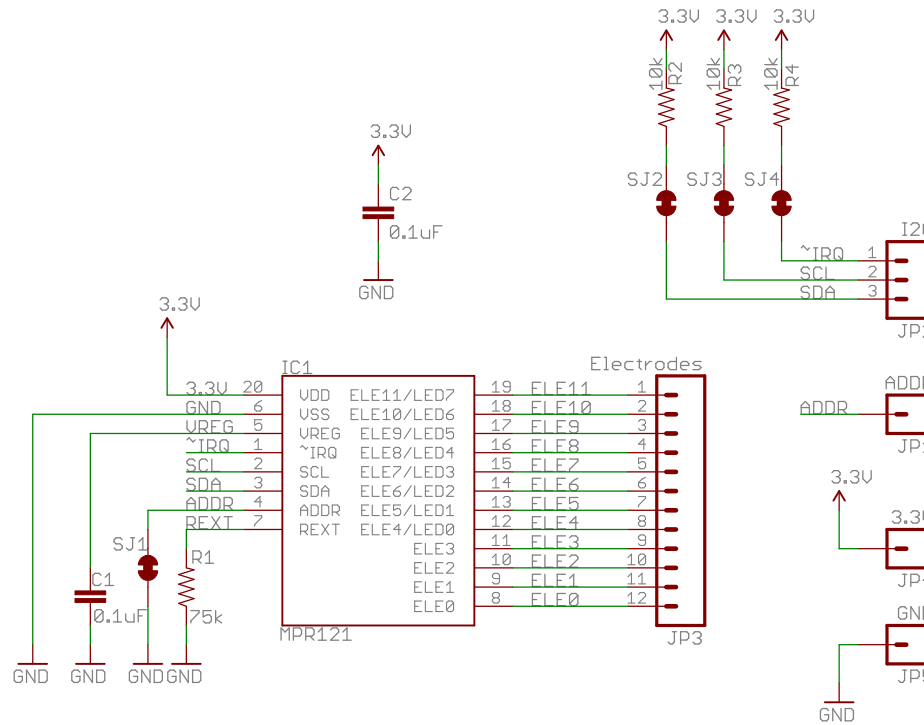


ADDR = 0, I2C address is 0x5A



Released under the Creative Commons Attribution Share-Alike 3.0 License
<http://creativecommons.org/licenses/by-sa/3.0>
 Design by: Jim Lindblom

⊗ ⊗	
TITLE: MPR121-Breakout-v12	SFE
Document Number:	REV:
Date: 10/17/2011 8:53:26 AM	Sheet: 1/1