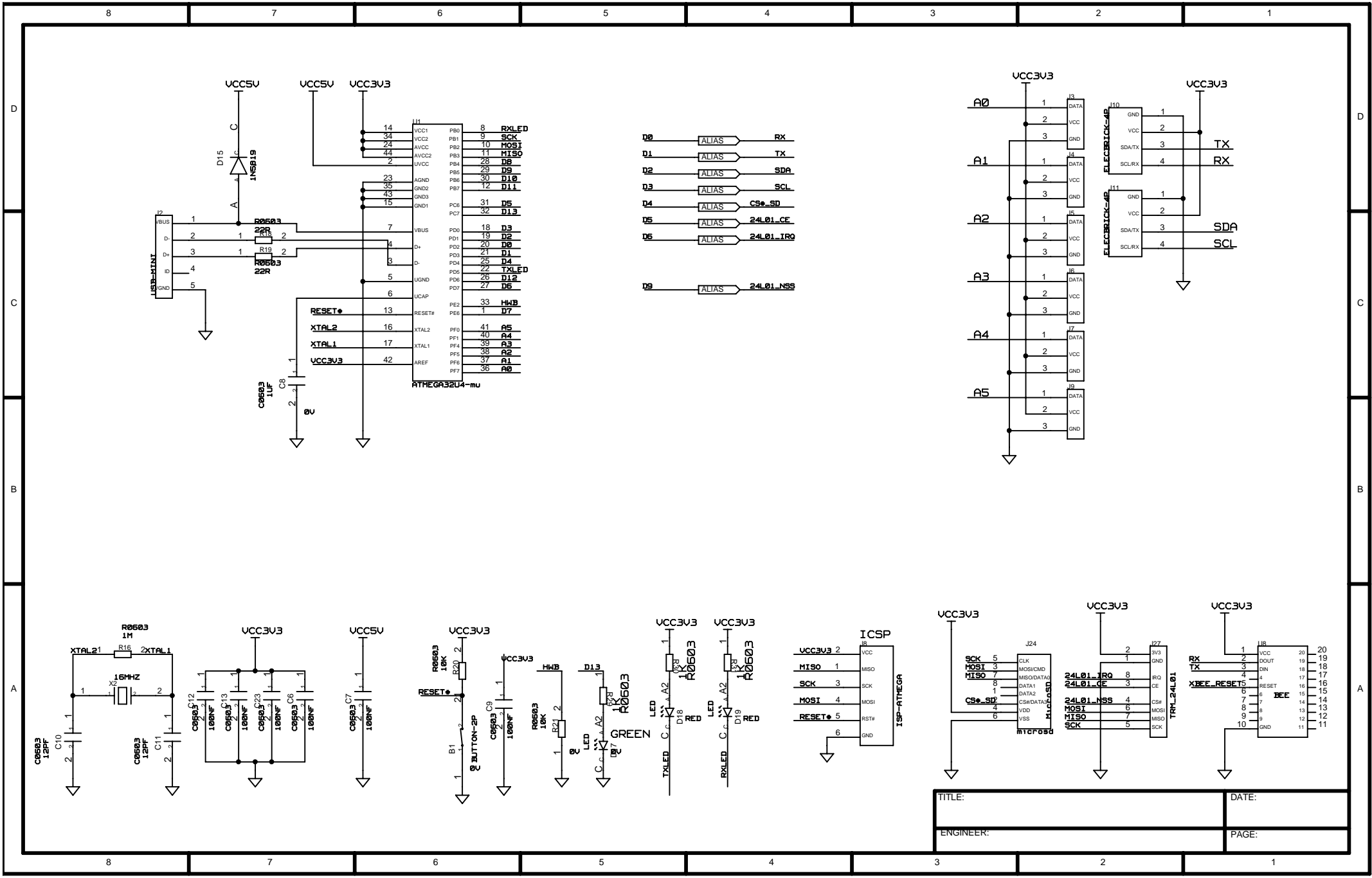
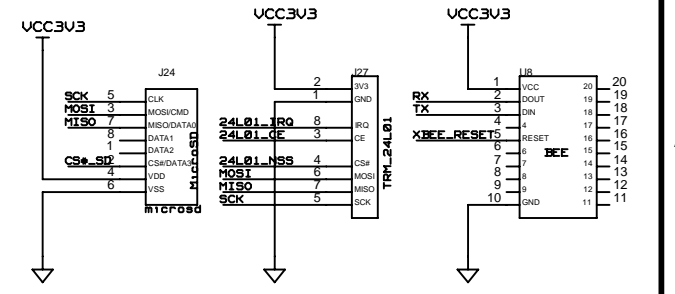
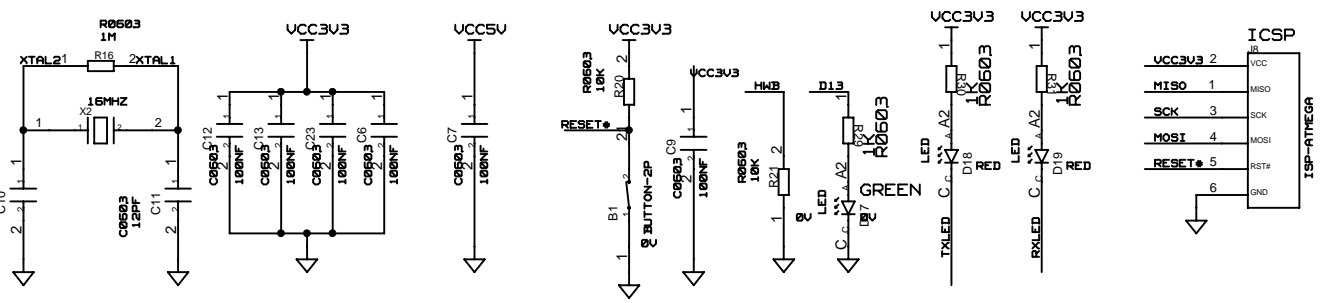
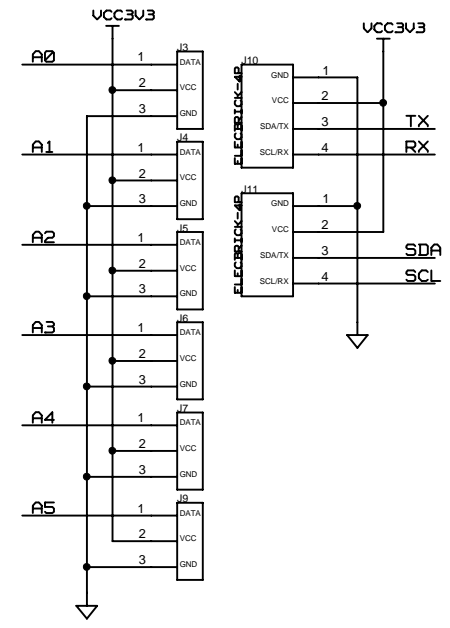


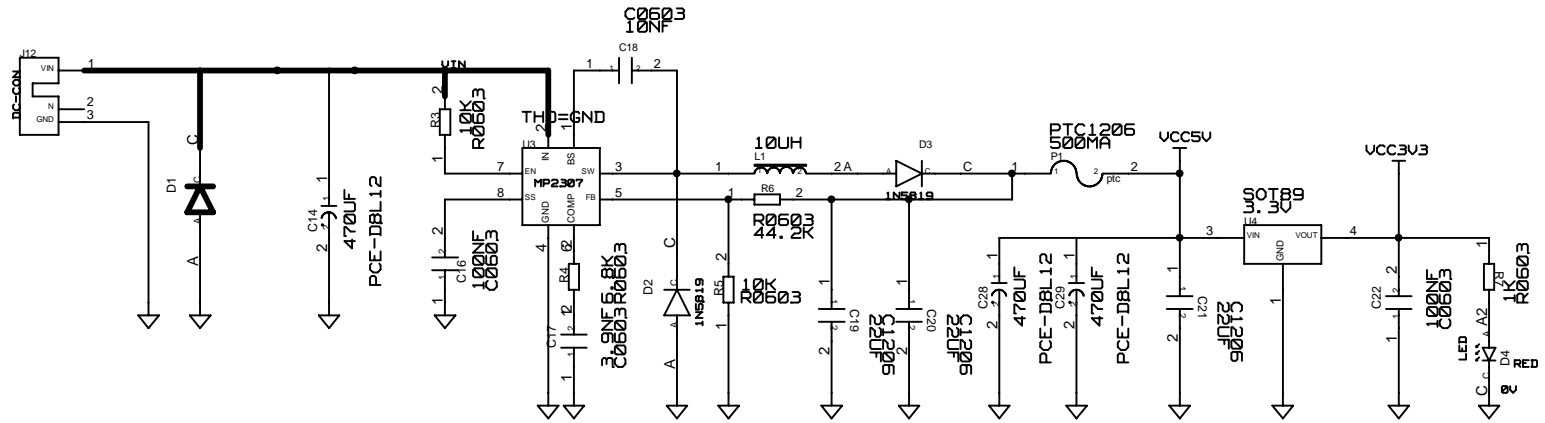
TITLE:	DATE:
ENGINEER:	PAGE:



D0	ALIAS	RX
D1	ALIAS	TX
D2	ALIAS	SDA
D3	ALIAS	SCL
D4	ALIAS	CS#_SD
D5	ALIAS	24L01_CE
D6	ALIAS	24L01_IRQ
D9	ALIAS	24L01_NSS



TITLE:	DATE:
ENGINEER:	PAGE:



TITLE:	DATE:
ENGINEER:	PAGE: