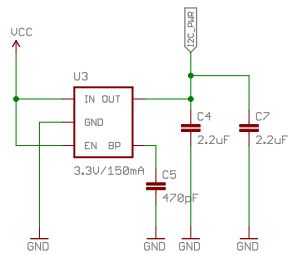
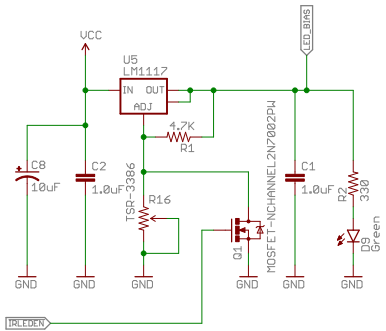


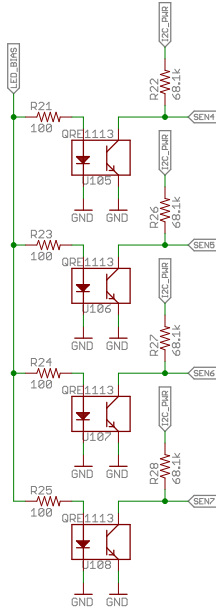
Power

Supply +5U

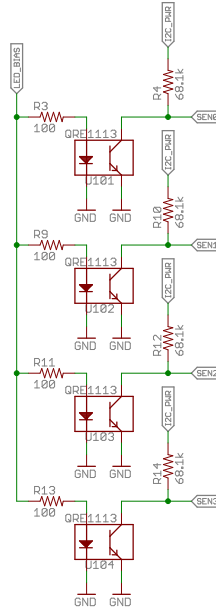


Sensors

High order nibble

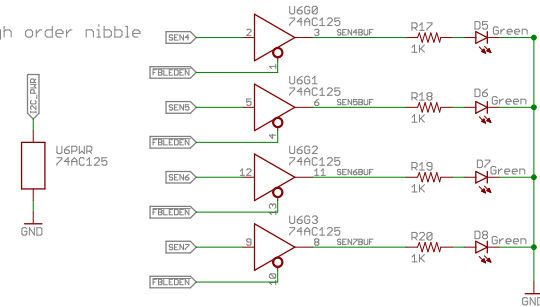


Low order nibble

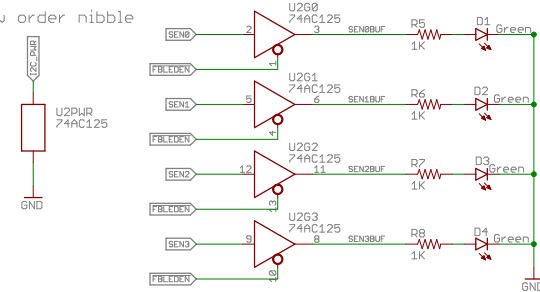


Buffers

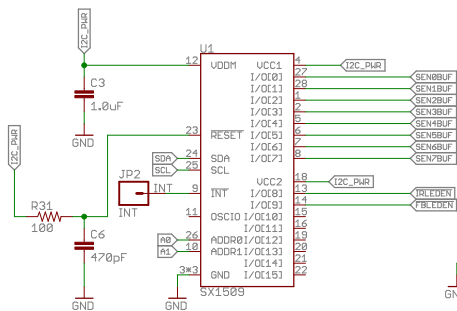
High order nibble



Low order nibble



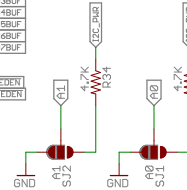
I2C Expander



Possible I2C addresses

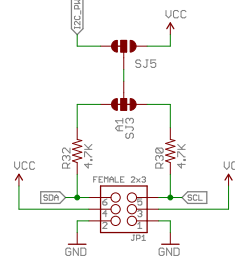
A1:A0	I2C Address
00	0x3E (0111110b)
01	0x3F (0111111b)
10	0x70 (1110000b)
11	0x71 (1110001b)

Set I2C address with SJ1 and SJ2



RedBot Interface

Open SJ3 to disconnect I2C pull-up resistors
Move SJ5 to make interface 5v



Released under the Creative Commons Attribution Share-Alike 4.0 License
<https://creativecommons.org/licenses/by-sa/4.0/>

TITLE: SparkFun Line Follower Array_v10

Design by: Marshall Taylor

REV:
V10

Date: 10/14/2015 4:11:34 PM

Sheet: 1/1